

# GRE18 18A

Previous description

Body size

CS9 (A)

3/8"

CS12 (B)

1/2"

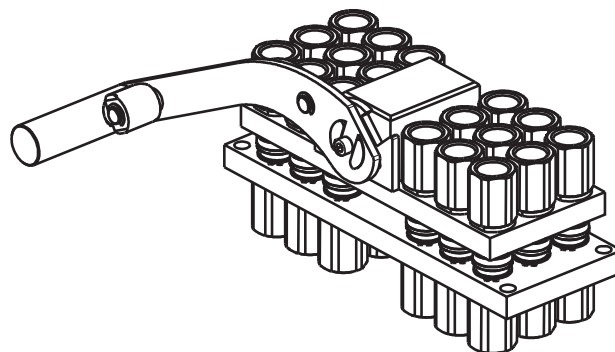


Stucchi®

GRE18-9

18

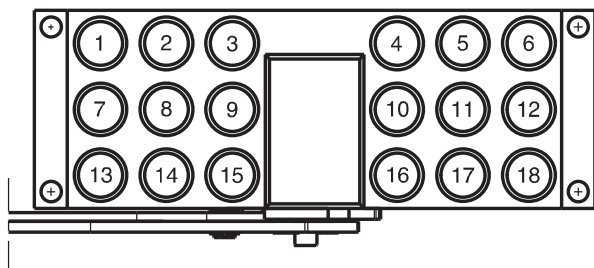
## DRAWING



## CONFIGURATIONS

### Possible configurations

Pos	Coupling size
ALL	CS9



### MultiCoupling (couplings included)

Code	Name	Description
870020120	MULTI FIX GRE18 18A	18 CS9 3/8 NPT
870020220	MULTI MOBILE GRE18 18A	18 CS9 3/8 NPT

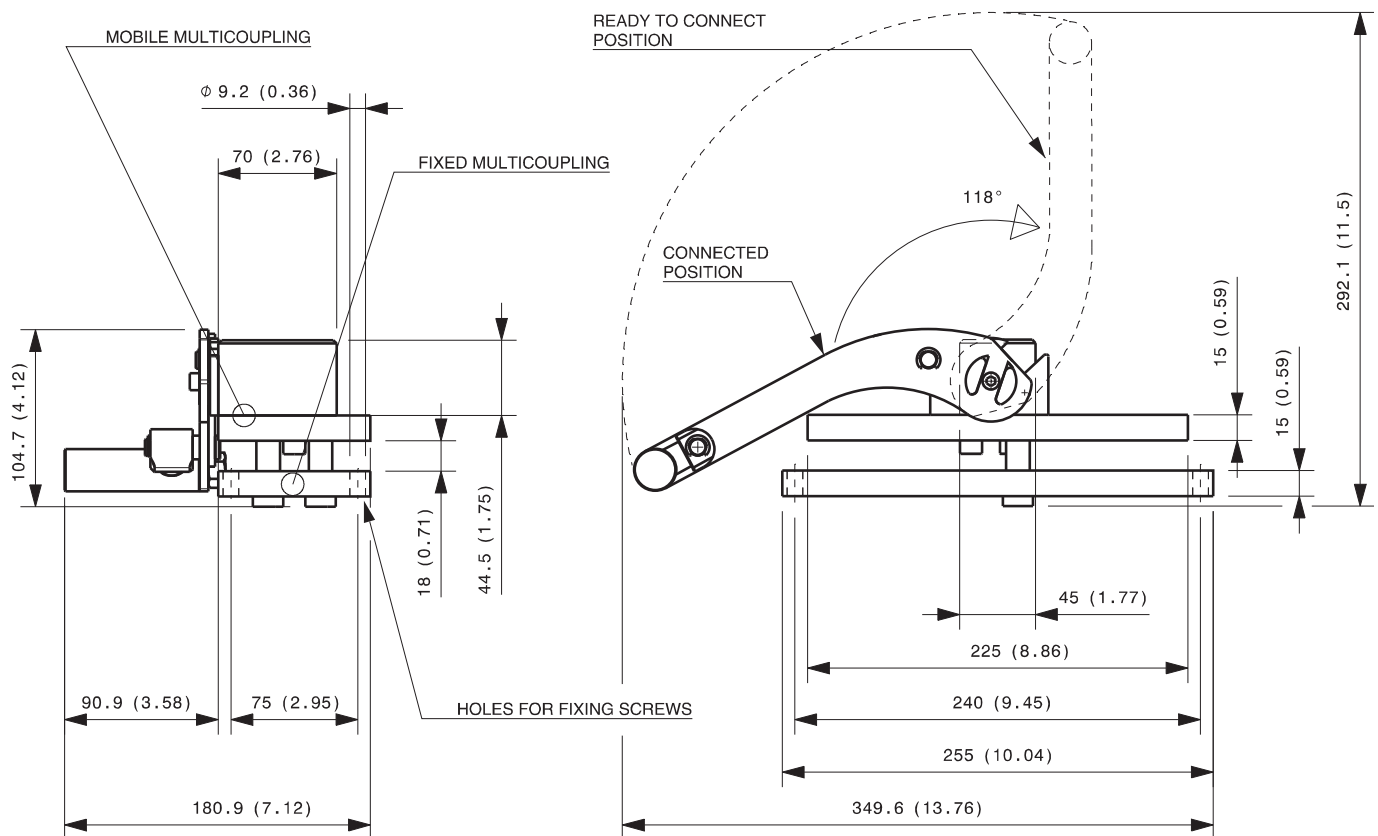
### MultiCoupling spare parts (couplings not included)

Code	Name
806000022	MULTI FIX EMPTY GRE18 18A
806000023	MULTI MOBILE EMPTY GRE18 18A
815606033	PARKING STATION MOBILE MULTICOUPLING GRE 100x45
815701078	SPARE KIT LEVER GROUP GRE 200x95

Custom configurations available upon request

## Fixed and mobile multicoupling

0,9 Kg and 1,8 Kg



Dimensions in millimeters (inch)

## Parking station for mobile multicoupling

0,6 Kg

