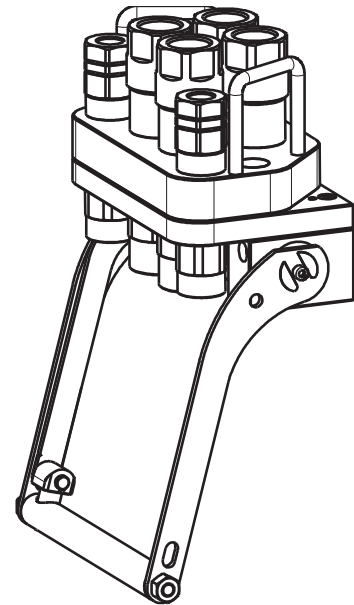


GR6 2B-4D-2EC

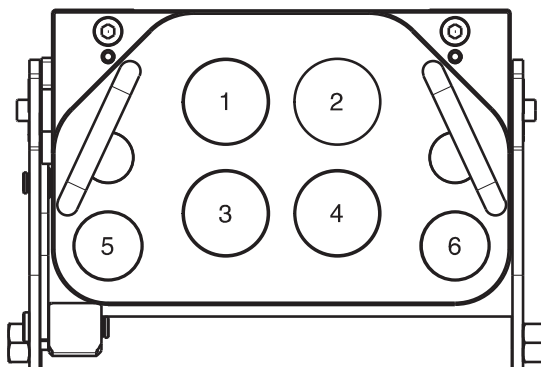
Previous description	Max. Resistance Body size	FAP9 (A) 3/8"	FAP13 (B) 1/2"	FAP15 (C) 5/8"	FAP17 (D) 3/4"	FAP21 (E) 1"	FAP30 (G) 1-1/2"
GR6LLZN	23000 N		2		4		



DRAWING



CONFIGURATIONS



Possible configurations		
Pos	Coupling size	Predisposition for electrical connector
1	FAP17ZN	-
2	FAP17ZN	-
3	FAP17ZN	-
4	FAP17ZN	-
5	FAP13ZN	YES
6	FAP13ZN	YES

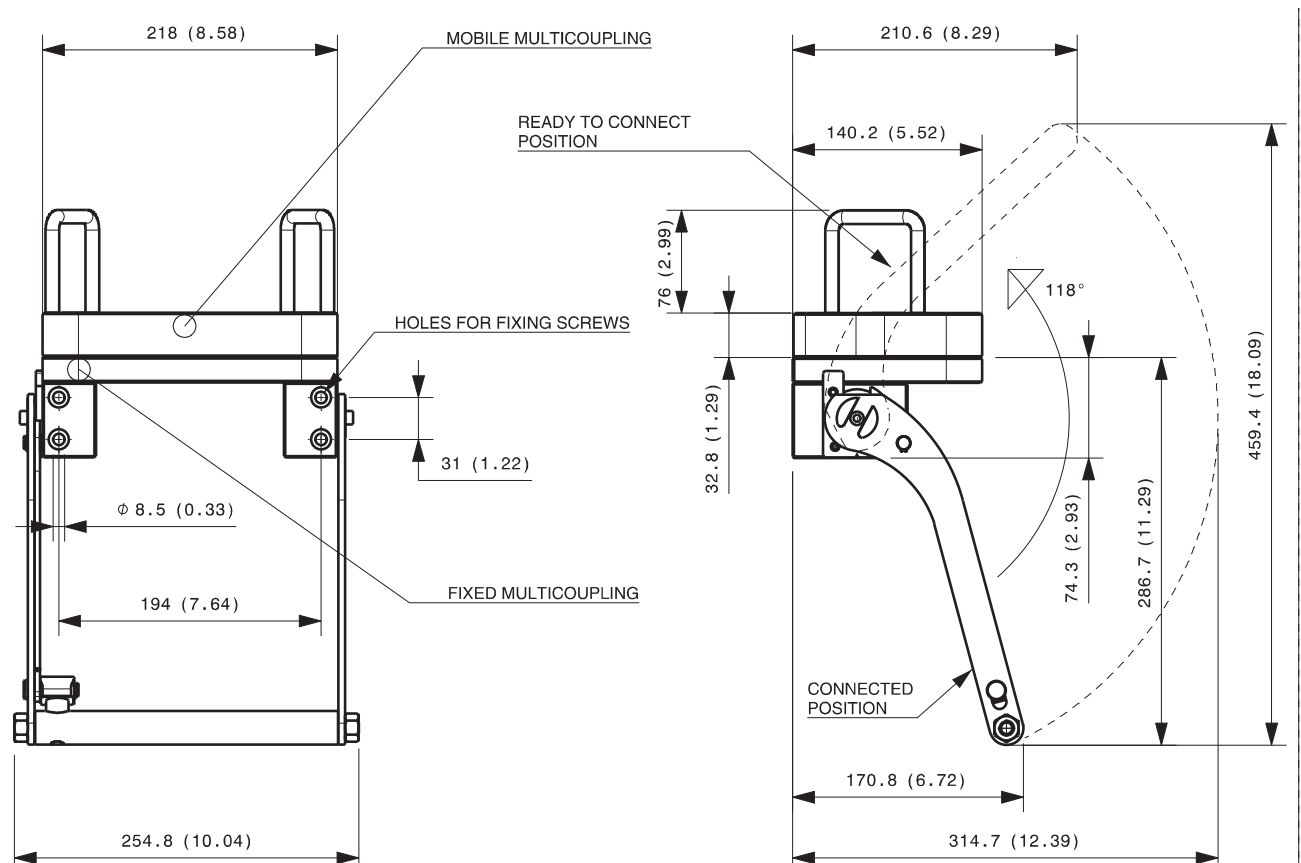
MultiCoupling (couplings included)		
Code	Name	Description
870015067	MULTI COMPLETE GR6 1B-4D	1 FAQ13 1/2 BSP - 4 FAP17 1 BSP - CAP
870016004	MULTI COMPLETE GR6 1B-4D	1 FAP13 1/2 BSP - 4 FAP17 1 BSP - CAP
870016038	MULTI COMPLETE GR6 2B-4D	2 FAP13 3/4 BSP - 4 FAP17 1 BSP - CAP
870016105	MULTI FIX GR6 2D	2 FAP17 1 BSP
870016124	MULTI FIX GR6 2B-4D	2 FAP13 1/2 SAE - 4 FAP17 1 SAE
870016205	MULTI MOBILE GR6 2D	2 FAP17 1 BSP
870016224	MULTI MOBILE GR6 2B-4D	2 FAP13 1/2 SAE - 4 FAP17 1 SAE

MultiCoupling spare parts (couplings not included)	
Code	Name
806000338	MULTI FIX EMPTY GR6 2B-4D-2EC
806000339	MULTI MOBILE EMPTY GR6 2B-4D-2EC
815606262	CAP FIX MULTICOUPLING GR 218x140
815606263	PARKING STATION MOBILE MULTICOUPLING GR 218x150
815701056	SPARE KIT LEVER GROUP GR 250x256

Custom configurations
available upon request

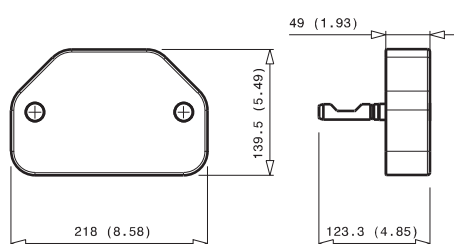
Fixed and mobile multicoupling

7,7 Kg and 5,0 Kg



Dimensions in millimeters (inch)

Cap for fixed multicoupling 1,7 Kg



Parking station for mobile multicoupling 3,4 Kg

