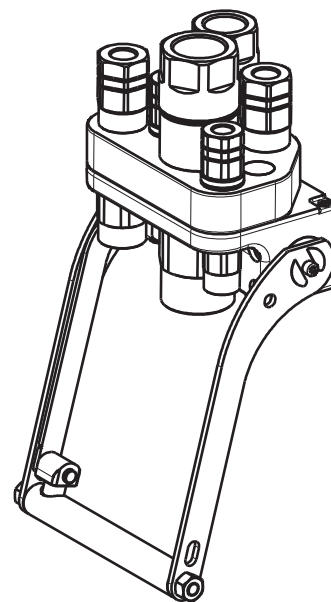


# GR6 2A-2B-1D-1E-2EC

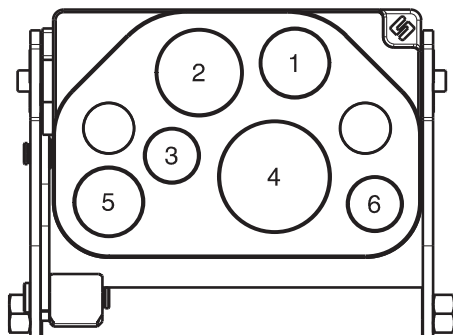
Previous description	Max. Resistance	FAP9 (A)		FAP13 (B)	FAP15 (C)	FAP17 (D)	FAP21 (E)	FAP30 (G)
Body size		3/8"	D	1/2"	5/8"	3/4"	1"	1-1/2"
GRU6ZN	23000 N	2	D	2		1	1	



## DRAWING



## CONFIGURATIONS



Possible configurations		
Pos	Coupling size	Predisposition for electrical connector
1	FAP13ZN	-
2	FAP17ZN	-
3	FAP9DZN	YES
4	FAP21ZN	-
5	FAP13ZN	-
6	FAP9DZN	YES

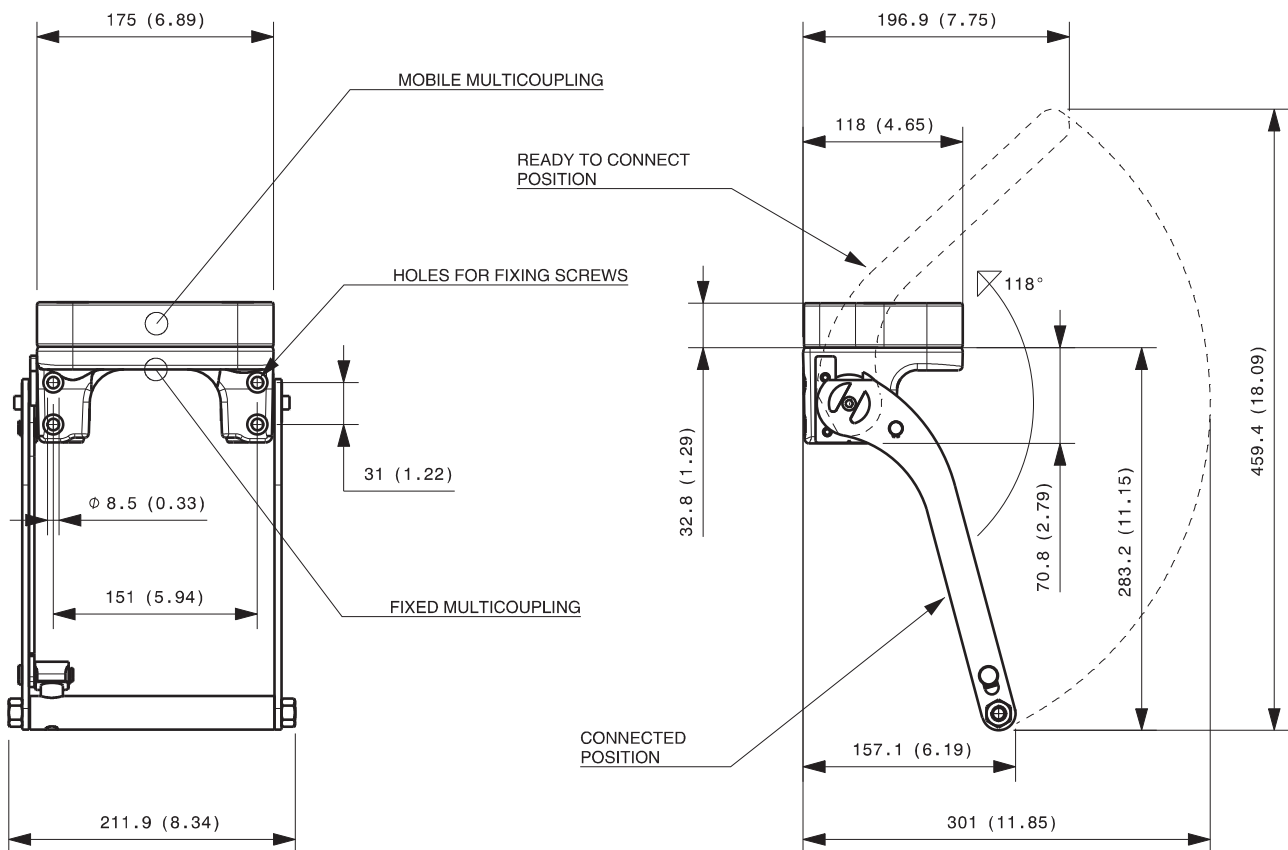
MultiCoupling (couplings included)		
Code	Name	Description
870015059	MULTI COMPLETE GR6 1A-2B-1D-1E	1 FAP9D 3/8 BSP - 2 FAP13 1/2 BSP - 1 FAP17 1 BSP - 1 FAP21 1-1/4 BSP - CAP
870015070	MULTI COMPLETE GR6 1A-2B-1D-1E	1 FAP9D 3/8 BSP - 2 FAP13 1/2 BSP - 1 FAP17 1 BSP - 1 FAP21 1-1/4 BSP - CAP
870015093	MULTI COMPLETE GR6 1A-2B-1D	1 FAP9D 3/8 BSP - 2 FAP13 1/2 BSP - 1 FAP17 3/4 BSP - CAP
870015170	MULTI FIX GR6 1A-2B-1D-1E	1 FAP9D 3/8 BSP - 2 FAP13 1/2 BSP - 1 FAP17 1 BSP - 1 FAP21 1-1/4 BSP
870015270	MULTI MOBILE GR6 1A-2B-1D-1E	1 FAP9D 3/8 BSP - 2 FAP13 1/2 BSP - 1 FAP17 1 BSP - 1 FAP21 1-1/4 BSP
870016037	MULTI COMPLETE GR6 2A-2B-1D-1E	2 FAP9D 1/2 BSP - 2 FAP13 3/4 BSP - 1 FAP17 1 BSP - 1 FAP21 1-1/4 BSP - CAP

MultiCoupling spare parts (couplings not included)		
Code	Name	Description
806000306	MULTI FIX EMPTY GR6 2A-2B-1D-1E-2EC	
806000307	MULTI MOBILE EMPTY GR6 2A-2B-1D-1E-2EC	
815606260	CAP FIX MULTICOUPLING GR 175x117 V02	
815606261	PARKING STATION MOBILE MULTICOUPLING GR 180x120 V02	
815701055	SPARE KIT LEVER GROUP GR 250x212	

Custom configurations available upon request

## Fixed and mobile multicoupling

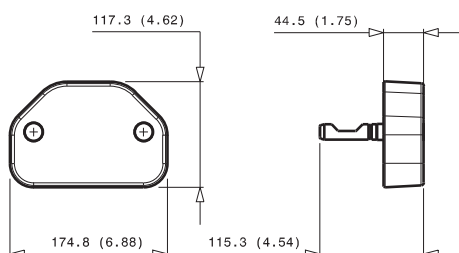
5,4 Kg and 2,6 Kg



Dimensions in millimeters (inch)

GR

### Cap for fixed multicoupling 1,2 Kg



### Parking station for mobile multicoupling 2,4 Kg

