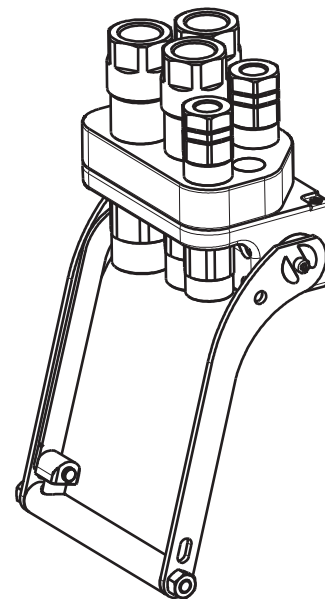


GR5 2B-3D-2EC

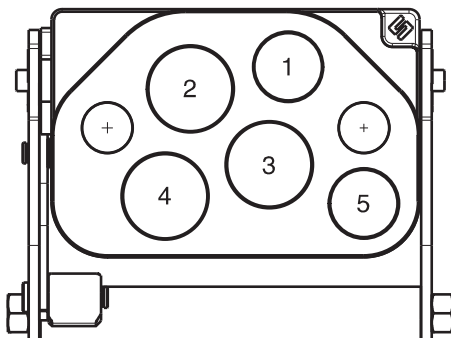
Previous description	Max. Resistance Body size	FAP9 (A) 3/8"	FAP13 (B) 1/2"	FAP15 (C) 5/8"	FAP17 (D) 3/4"	FAP21 (E) 1"	FAP30 (G) 1-1/2"
GR5AAZN	23000 N		2		3		



DRAWING



CONFIGURATIONS



Possible configurations		
Pos	Coupling size	Predisposition for electrical connector
1	FAP13ZN	YES
2	FAP17ZN	-
3	FAP17ZN	-
4	FAP17ZN	-
5	FAP13ZN	YES

MultiCoupling (couplings included)		
Code	Name	Description
870015080	MULTI COMPLETE GR5 2B-3D	2 FAP13 1/2 BSP - 3 FAP17 3/4 BSP - CAP
870016033	MULTI COMPLETE GR5 2B-1D	2 FAP13 3/4 BSP - 1 FAP17 1 BSP - CAP
870016046	MULTI COMPLETE GR5 1B-3D	1 FAP13 3/4 BSP - 3 FAP17 1 BSP - CAP
870015180	MULTI FIX GR5 2B-3D	2 FAP13 1/2 BSP - 3 FAP17 3/4 BSP
870016122	MULTI FIX GR5 3D-2EC	3 FAP17 1 BSP - 2 EC6
870016147	MULTI FIX GR5 3D	3 FAP17 3/4 BSP
870016154	MULTI FIX GR5 1B-3D	1 FAP13 1/2 BSP - 3 FAP17 3/4 BSP
870016153	MULTI FIX GR5 3D	3 FAP17 1 BSP
870015280	MULTI MOBILE GR5 2B-3D	2 FAP13 1/2 BSP - 3 FAP17 3/4 BSP
870016222	MULTI MOBILE GR5 3D-2EC	3 FAP17 1 BSP - 2 EC6
870016247	MULTI MOBILE GR5 3D	3 FAP17 3/4 BSP
870016254	MULTI MOBILE GR5 1B-3D	1 FAP13 1/2 BSP - 3 FAP17 3/4 BSP
870016253	MULTI MOBILE GR5 3D	3 FAP17 1 BSP

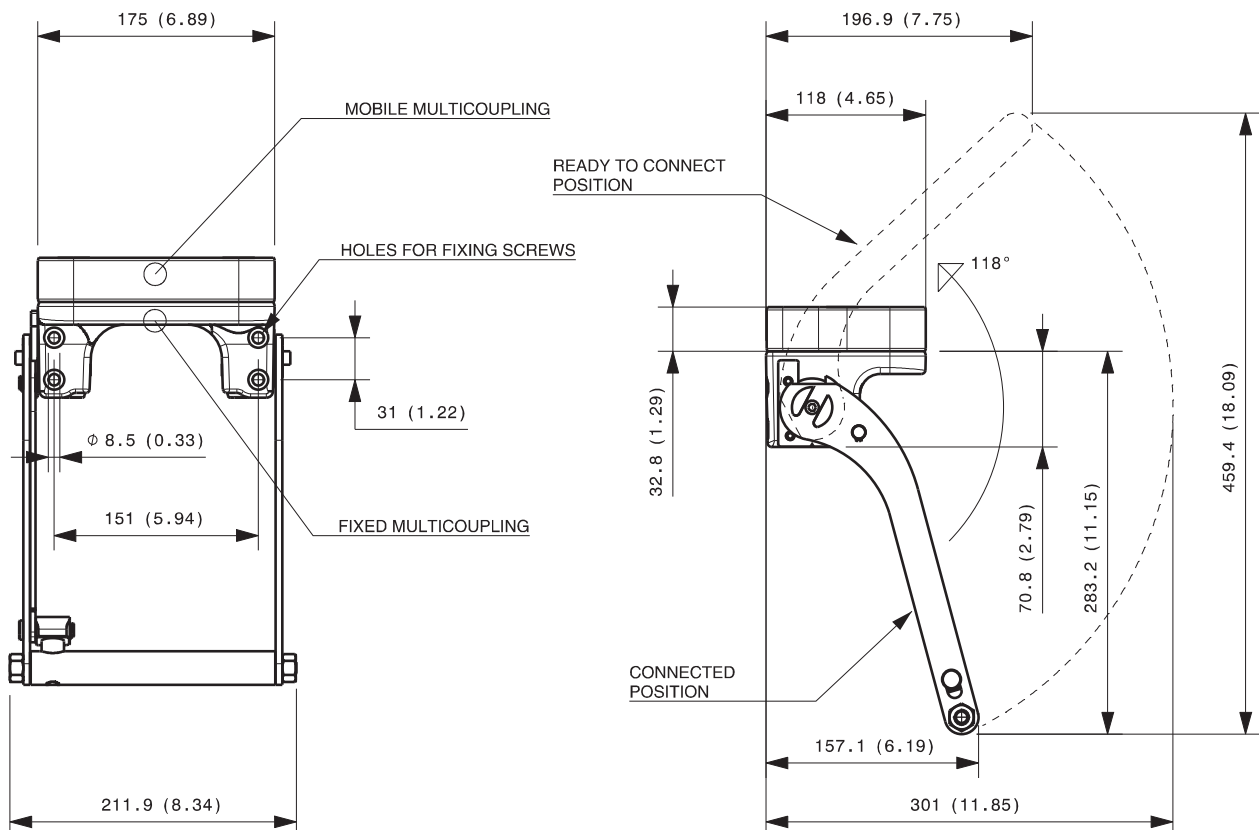
MultiCoupling spare parts (couplings not included)	
Code	Name
806000312	MULTI FIX EMPTY GR5 2B-3D-2EC
806000313	MULTI MOBILE EMPTY GR5 2B-3D-2EC
815606260	CAP FIX MULTICOUPLING GR 175x117 V02
815606261	PARKING STATION MOBILE MULTICOUPLING GR 180x120 V02
815701055	SPARE KIT LEVER GROUP GR 250x212

Custom configurations available upon request

Fixed and mobile multicoupling

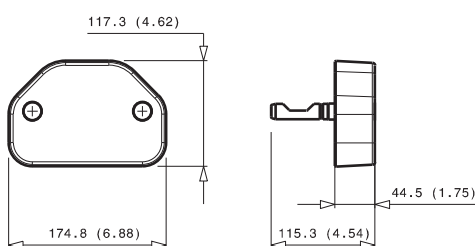
5,5 Kg and 2,7 Kg

GR



Dimensions in millimeters (inch)

Cap for fixed multicoupling 1,2 Kg



Parking station for mobile multicoupling 2,4 Kg

