

GR10 10B-2EC

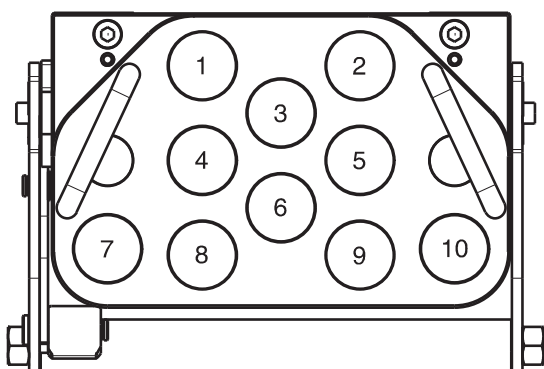
Previous description	Max. Resistance Body size	FAP9 (A) 3/8"	FAP13 (B) 1/2"	FAP15 (C) 5/8"	FAP17 (D) 3/4"	FAP21 (E) 1"	FAP30 (G) 1-1/2"
GR10-13ZN	23000 N		10				



DRAWING



CONFIGURATIONS



Pos	Possible configurations	
	Coupling size	Predisposition for electrical connector
1	FAP13ZN	-
2	FAP13ZN	-
3	FAP13ZN	-
4	FAP13ZN	-
5	FAP13ZN	-
6	FAP13ZN	-
7	FAP13ZN	YES
8	FAP13ZN	-
9	FAP13ZN	-
10	FAP13ZN	YES

MultiCoupling (couplings included)		
Code	Name	Description
870010008	MULTI COMPLETE GR10 10B	10 FAP13 3/4 BSP - CAP
870010009	MULTI COMPLETE GR10 10B	10 FAP13 1/2 BSP - CAP
870010010	MULTI COMPLETE GR10 10B	10 FAP13 1/2 NPT - CAP
870010109	MULTI FIX GR10 10B	10 FAP13 1/2 BSP
870010111	MULTI FIX GR10 8B	4 FAP13 1/2 SAE - 4 FAP13 3/4 SAE
870010112	MULTI FIX GR10 8B	8 FAP13 3/4 SAE
870010209	MULTI MOBILE GR10 10B	10 FAP13 1/2 BSP
870010211	MULTI MOBILE GR10 8B	4 FAP13 1/2 SAE - 4 FAP13 3/4 SAE

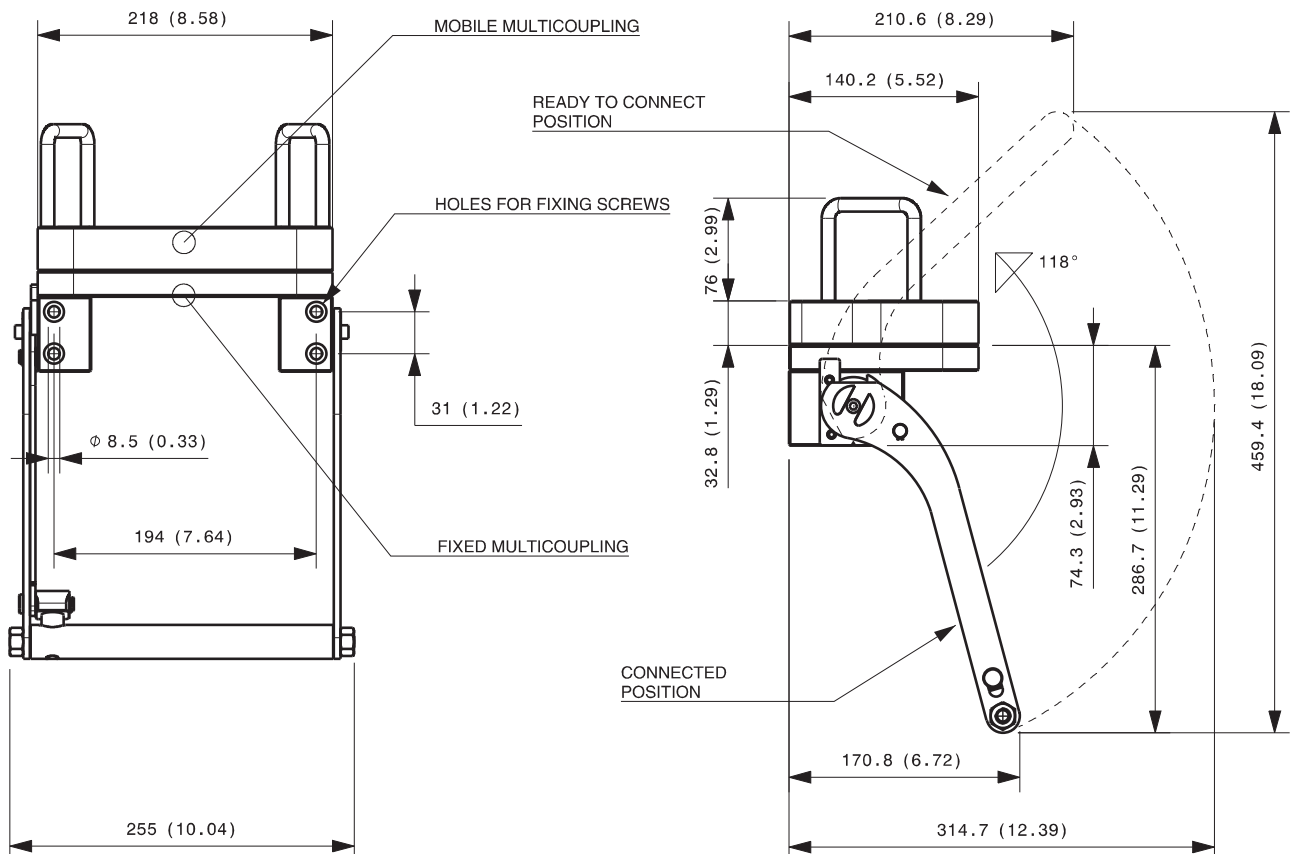
MultiCoupling spare parts (couplings not included)		
Code	Name	Description
806000336	MULTI FIX EMPTY GR10 10B-2EC	
806000337	MULTI MOBILE EMPTY GR10 10B-2EC	
815606262	CAP FIX MULTICOUPLING GR 218x140	
815606263	PARKING STATION MOBILE MULTICOUPLING GR 218x150	
815701056	SPARE KIT LEVER GROUP GR 250x256	

Custom configurations available upon request

Fixed and mobile multicoupling

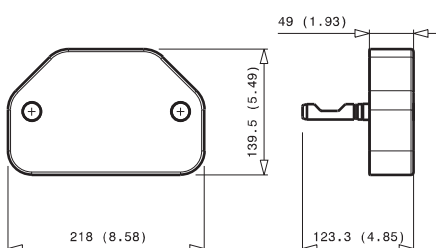
7,5 Kg and 4,3 Kg

GR



Dimensions in millimeters (inch)

Cap for fixed multicoupling 1,7 Kg



Parking station for mobile multicoupling 3,4 Kg

