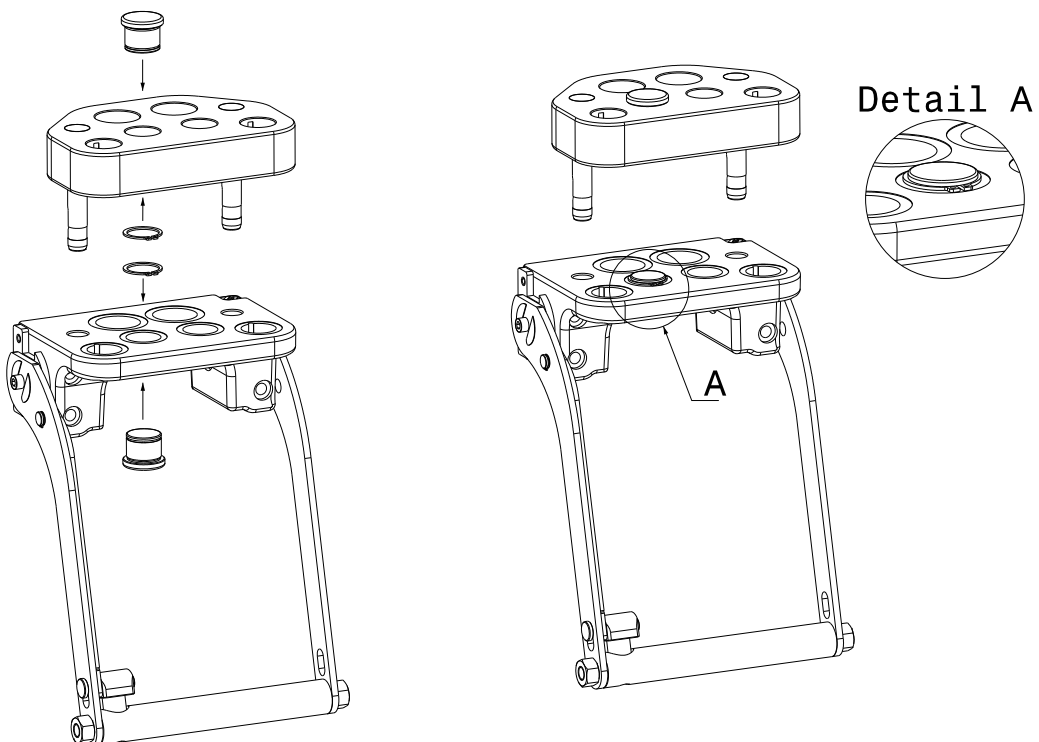




When the multicoupling chosen has one or more holes where no couplings or electrical connectors are fitted, it is important to cover the holes with the proper plugs in order to avoid dirt entering the multicoupling. The plugs for multicouplings holes are made in black anodized aluminum.

Installation

- Put the plug in the corresponding hole of mobile or fixed multiconnection.
- Assemble the seeger ring with proper pliers.
- Check the correct positioning of the seeger ring after assembly.
- To disassemble: same as above but reverse process.



PLUGS

Plugs	
Body Size	Description
815701030	SET OF 5 PLUGS FOR HOLE MULTI FIX FAP9HP
815701031	SET OF 5 PLUGS FOR HOLE MULTI MOBILE FAP9HP
815701018	SET OF 10 PLUGS FOR HOLE MULTI FIX FAP-FAQ9
815701020	SET OF 10 PLUGS FOR HOLE MULTI MOBILE FAP-FAQ9
815701022	SET OF 10 PLUGS FOR HOLE MULTI FIX FAP-FAQ13
815701023	SET OF 10 PLUGS FOR HOLE MULTI MOBILE FAP-FAQ13
815701024	SET OF 5 PLUGS FOR HOLE MULTI FIX FAP-FAQ15
815701025	SET OF 5 PLUGS FOR HOLE MULTI MOBILE FAP-FAQ15
815701026	SET OF 5 PLUGS FOR HOLE MULTI FIX FAP-FAQ17
815701027	SET OF 5 PLUGS FOR HOLE MULTI MOBILE FAP-FAQ17
815701028	SET OF 5 PLUGS FOR HOLE MULTI FIX FAP-FAQ21
815701029	SET OF 5 PLUGS FOR HOLE MULTI MOBILE FAP-FAQ21

Kit composed of only plugs, to fix in the plate you need also seeger ring (see table here below)

SEEGER RING

Seeger ring	
Body Size	Description
815701033	SET OF 10 SEEGER FOR PLUG FAP-FAQ9
815701034	SET OF 10 SEEGER FOR PLUG FAP-FAQ13
815701035	SET OF 5 SEEGER FOR PLUG FAP-FAQ15
815701036	SET OF 5 SEEGER FOR PLUG FAP-FAQ17
815701037	SET OF 5 SEEGER FOR PLUG FAP-FAQ21
815701038	SET OF 5 SEEGER FOR PLUG FAP9HP

WARNING

Pay attention not to damage the seeger ring during the assembly
 Do not leave any open hole (without plug) in the multiconnection in order to avoid dirt to enter in the parts.
 Do not disassemble, misuse, modify or damage the products.