



In addition to the couplings for fluid energy transmission, it is possible to fit in the multicouplings the electrical connectors for the electric energy transmission. They are suitable for all very low tension electronic (max 24 V) devices such as instrumentation, signals, solenoid valves, etc.

## Technical features and options



**Interchange**  
Stucchi profile



**Nominal current**  
12 A service, 15 A max. (each contact)



**Max. number of contacts**  
7



**Operating voltage**  
24 V max.



**Seals**  
NBR (Nitrile)



**Connection contact and electrical wire**  
To crimp



**Construction material**  
Body brass nickel plated; cable retainer in plastic



**IP protection**  
Not listed



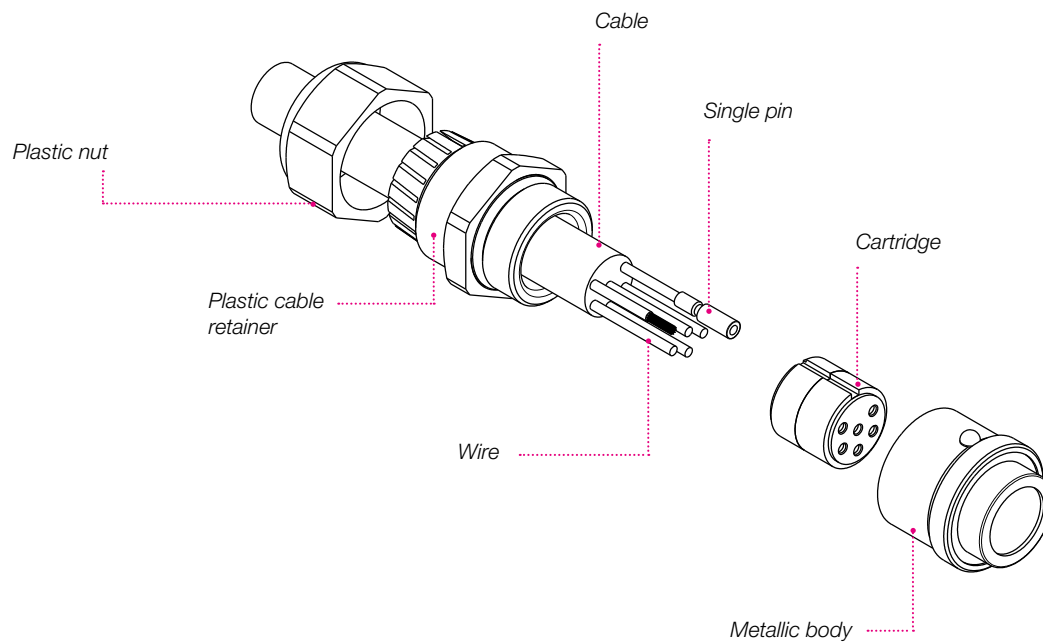
**Contact diameter**  
2 mm

New name	Previous description	Family	Electrical Connector				Page
			3/8"		1/2"		
			6 POLES (EC6) electrical connetor female - male	7 POLES (EC7) electrical connetor female - male	6 POLES (EC6) electrical connetor female - male	7 POLES (EC7) electrical connetor female - male	
DP2 2A-1EC	DP2-9ZN	DP	806422000-039	-	-	-	30
DP2 2A-2EC V04	DP2-9L	DP	806422000-039	-	-	-	32
DP2 2B-1EC	DP2-13ZN	DP	-	-	806422010-035	806422024-043	34
DP2 2B-2EC V04	DP2-13L	DP	-	-	806422010-035	806422024-043	36
DP2 2C	DP2-15	DP	-	-	-	-	38
DP2 2D	DP2-17ZN	DP	-	-	-	-	40
DP2 1A-1B	DPT2ZN	DP	-	-	-	-	42
DP3 1A-1B-1EC	DPT3ZN	DP	806422000-065	806422012-027	-	-	44
DP3 1A-2C-1EC V04		DP	806422000-063	-	-	-	46
DP3 1C-2E	DP3GE	DP	-	-	-	-	48
DP3 2A-1EC	DPJ3ZN	DP	806422000-021	806422012-033	-	-	50
DP4 4A V02	DP4-9FAZN	DP	806422000-039	-	-	-	50
DP4 4A-2EC	DP4-9ZN	DP	806422000-039	-	-	-	52
DP4 4B-2EC	DP4-13ZN	DP	-	-	806422010-035	806422024-043	54
DP6 2A-4D-2EC	DP6AD	DP	on request	on request	-	-	56
GR3 3A-1EC	GR3-9ZN	GR	806422000-001	806422012-013	-	-	58
GR3 3B-1EC	GR3-13ZN	GR	-	-	806422010-011	806422024-025	60
GR3 1A-2E-1EC	GRK3ZN	GR	806422000-007	806422012-019	-	-	62
GR3 2B-1C-2EC	GRI3	GR	-	-	806422010-011	806422024-025	64
GR4 2A-1B-1C-2EC	GRI4SBZN	GR	806422000-007	806422012-019	-	-	66
GR4 2A-2B-2EC	GRB4ZN	GR	806422000-007	806422012-019	-	-	68
GR4 2A-1B-1D-2EC	GR4MRZN	GR	806422000-007	806422012-019	-	-	70
GR4 2A-1C-1D-2EC	GRI4ZN	GR	806422000-007	806422012-019	-	-	72
GR4 2A-2C-2EC	GRI4TBZN	GR	806422000-007	806422012-019	-	-	74
GR5 1A-1B-1C-2D-1EC	GRP6ZN	GR	806422000-007	806422012-019	-	-	76
GR5 2B-3D-2EC	GR5AAZN	GR	-	-	806422010-011	806422024-025	78
GR5 3A-1D-1E-2EC	GRD5ZN	GR	806422000-007	806422012-019	-	-	80
GR5 2B-2C-1E-2EC	GRZ5ZN	GR	-	-	806422010-011	806422024-025	82
GR5 5C	GR5-15ZN	GR	-	-	-	-	84
GR6 6A-2EC	GR6-9ZN	GR	806422000-001	806422012-013	-	-	86
GR6 4A-2B-2EC	GRT6ZN	GR	806422000-007	806422012-019	-	-	88
GR6 4B-2D-4EC	GR6ABZN	GR	-	-	806422010-011	806422024-025	90
GR6 2A-2B-2C-2EC	GRM6MCZN	GR	806422000-007	806422012-019	-	-	92
GR6 6B-2EC	GR6-13ZN	GR	-	-	806422010-011	806422024-025	94
GR6 3A-1B-1C-1D-2EC	GRC6ZN	GR	806422000-007	806422012-019	-	-	96
GR6 2A-2C-2D-2EC	GRM6ZN	GR	806422000-007	806422012-019	-	-	98
GR6 2A-2B-1D-1E-2EC	GRU6ZN	GR	806422000-007	806422012-019	-	-	100
GR6 2B-4D-2EC	GR6LLZN	GR	-	-	806422010-011	806422024-025	102
GR6 2A-4C-2EC	GRM6ALZN	GR	806422000-007	806422012-019	-	-	104
GR6 2A-1B-2D-1E-3EC	GR6AF	GR	806422000-007	806422012-019	806422010-011	806422024-025	106
GR7 4A-3B-4EC	GR7ABZN	GR	806422000-007	806422012-019	-	-	108
GR7 4A-3B-4EC V01	GR7ABZNL	GR	806422000-007	806422012-019	-	-	108
GRHP7 7A-4EC	GR7ACZN	GR	806422000-007	806422012-019	-	-	110
GR7 4A-1B-2D-4EC	GR7AAZN	GR	806422000-007	806422012-019	-	-	112
GR8 6A-2B-6EC	GR8ABZN	GR	806422000-007	806422012-019	-	-	114
GR8 7A-1D-7EC	GR8AAZN	GR	806422000-007	806422012-019	-	-	116
GR10 10A-2EC	GR10-9LCZN	GR	806422000-007	806422012-019	-	-	118
GR10 10A-2EC V01	GR10-9ZNSD	GR	806422000-007	806422012-019	-	-	118
GR10 10A-2EC V03	GR10-9ZN	GR	-	-	-	-	118
GR10 10B-2EC	GR10-13ZN	GR	-	-	806422010-011	806422024-025	120

Upon request different number of contacts.

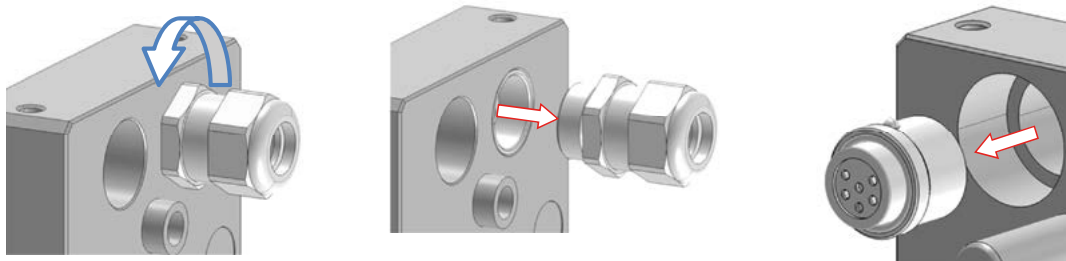
## Installation

Stucchi electrical connectors are normally supplied already assembled on the Stucchi multicouplings or could be supplied as a spare part to be replaced on a Stucchi multicoupling.

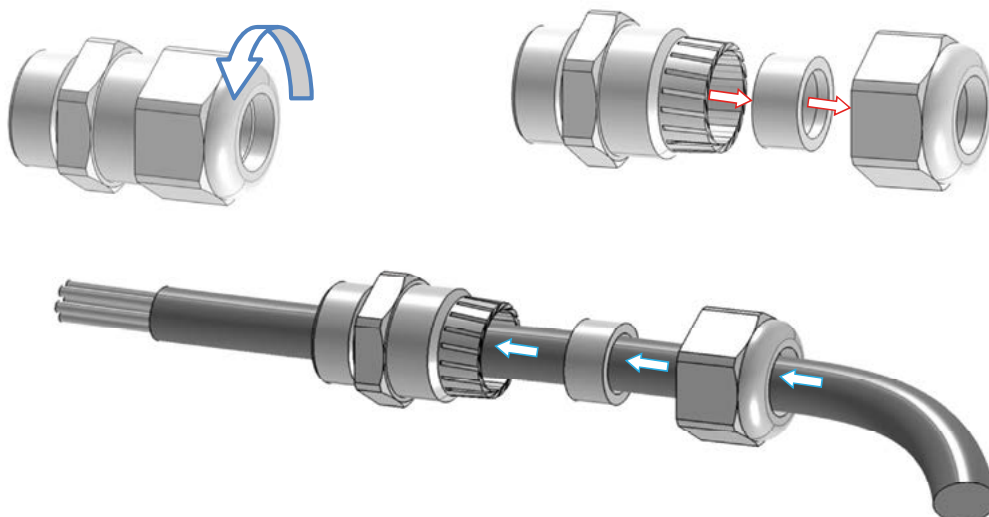


### A. If the electrical connector is assembled on a Stucchi multi coupling proceed as following instruction:

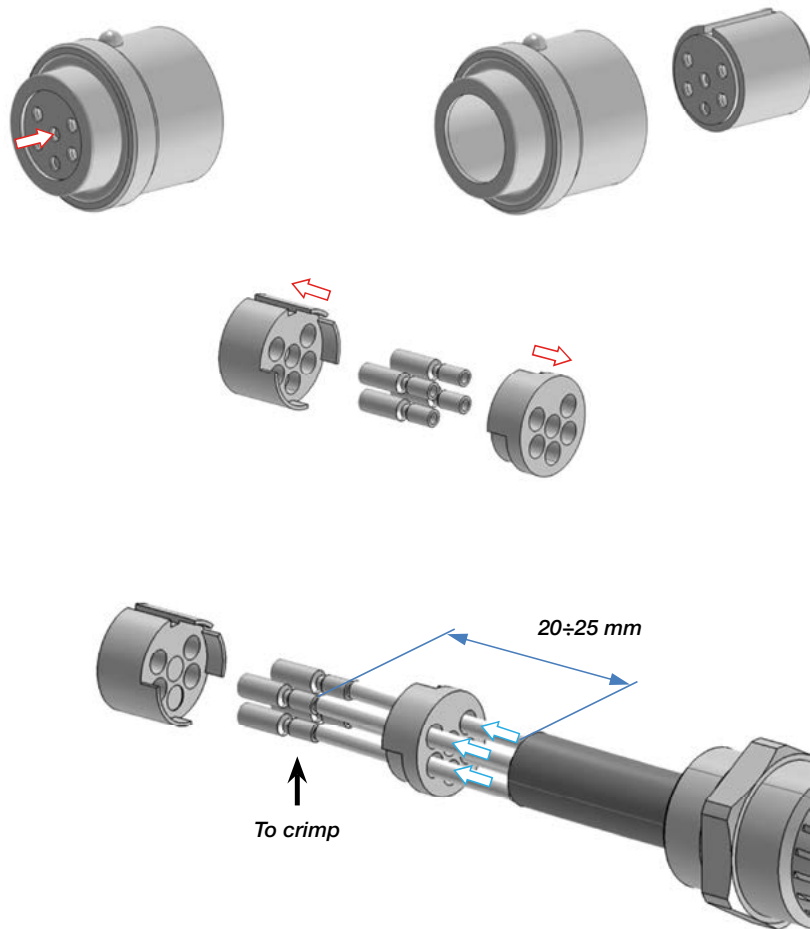
Unscrew the cable retainer from the back of the multi coupling & extract the electrical connector from the multi coupling, separating the plastic cable retainer from the metallic body of the electrical connector.



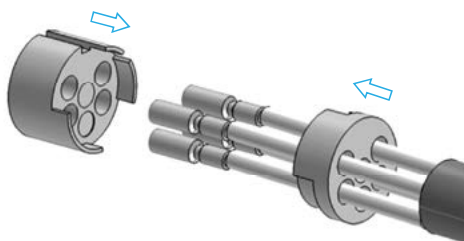
Unscrew the plastic nut from the cable retainer, then insert the cable in the plastic cable retainer, so strip the cable for a length of 30 mm and the single wires for 10 mm.



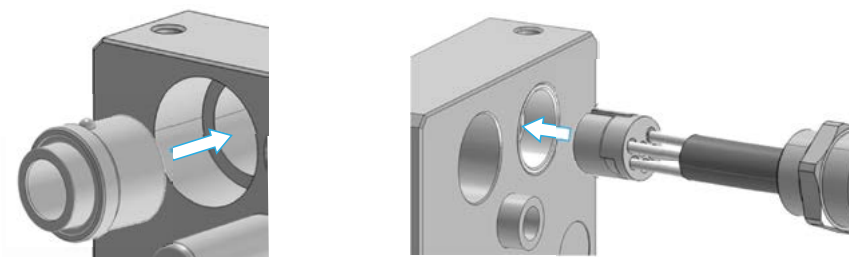
Open the electrical connector cartridge to extract the single pins.  
Install the single cable wire crimping the end on the pin with the proper tool.



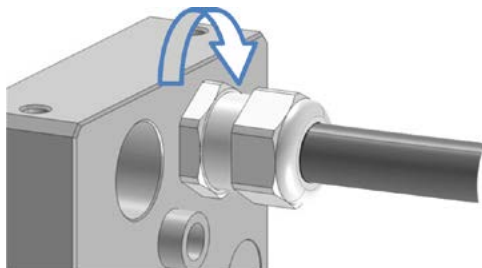
Assemble the cartridge with all the pins & wiring crimped.



Insert the metal body of the electrical connector at the back of the multicoupling. Insert the cable with all the group assembled on.  
Allow the alignment of the groove on the cartridge with the pin in the hole of the multicoupling.



Screwing the plastic nut with the metallic body (a manual torque is enough, do not overtorque). Push the cable in direction of the connector, while screw the (cable retainer) plastic nut to lock the cable and verify if there is no space for accidental incoming of water or dirt between cable and cable retainer sealing (a manual torque is enough, do not overtorque). The cable has to adhere to the cable retainer not allowing water, dirt or moisture to enter in. The male electrical connector is provided with a plastic protection: ensure this protection is sliding correctly on the pins after assembly.



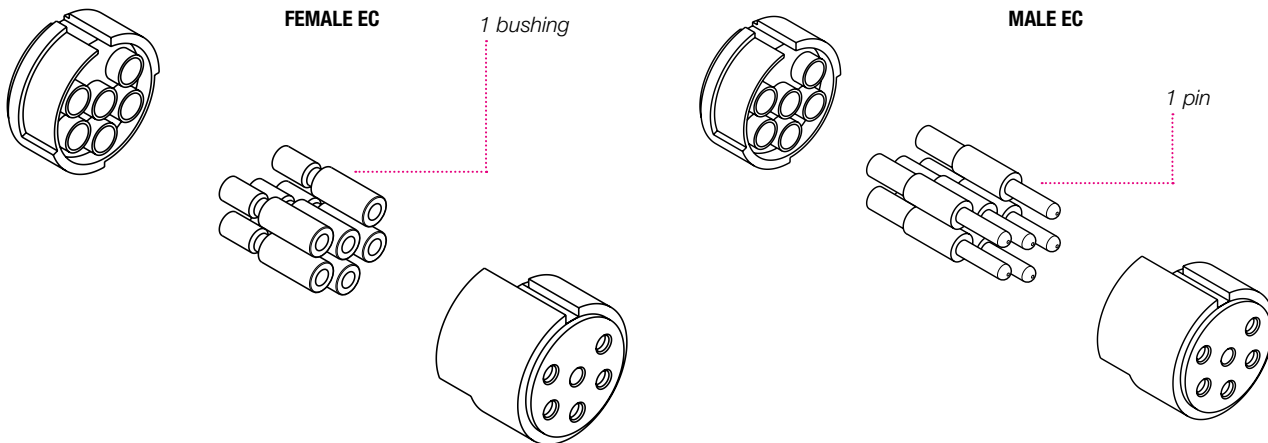
Before connecting clean the flat mating surface to avoid inclusion of contamination. Connect and disconnect in according to the instruction of use for multicoupling. Test the correct functioning of the electrical connector.

**B. If the electrical connector is supplied as a spare part to be replaced on a Stucchi multi coupling**

Same as above but start by opening the electrical connector separating the plastic cable retainer from the upper metal body.

**SPARE KIT ELECTRICAL CONTACTS**

Repair kit pins and bushing	
Part Number	Description
815701131	SET OF 10 PINS D.2 FOR EC
815701132	SET OF 10 BUSHINGS D.2 FOR EC



**! WARNING**

A defect, a wrong choice or an improper use of products, can cause injury to persons, animals and objects. It is MANDATORY to read and closely follow the instructions. Last updated version always apply at time of installation, see latest written Instructions on Stucchi website (stucchigroup.com) before selecting or using Stucchi products. Do not pull the cable assembly during the use in order to avoid damages of the electrical connector. Do not weld the electrical connector pins, they are intended to be assembled by crimping with proper tool. Do not use the electrical connector with high voltage or high amperage. Do not connect or disconnect with power in the lines! Always shut off the power prior to connect&disconnect. Do not touch with hand, finger or tools the pins. Do not shortcircuit, misuse or modify the parts. Avoid liquids, dirt, particles or other objects touching the pins: shortcircuits may happen! The products are intended to be used in Stucchi multiconnection only. Do not use the electrical connectors on a Custom-made multiconnection or other device different than a Stucchi Multiconnection. Every multiconnection has to be fitted with the corresponding electrical connector. For spare parts consult the list of EC at following page and the single datasheet of the multiconnection in use. Contact Stucchi Service for support.