

# CSSERIES

INTERCHANGE > Stucchi profile (only for Stucchi multicouplings)



## TECHNICAL FEATURES AND OPTIONS

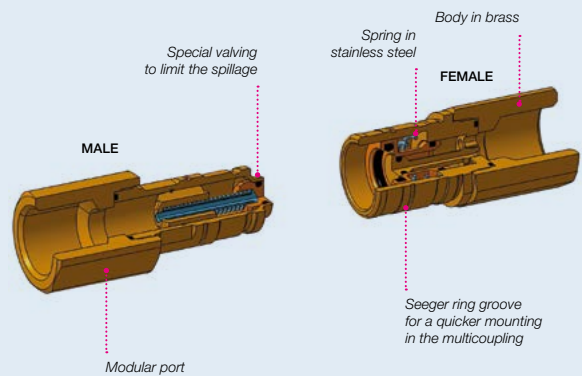
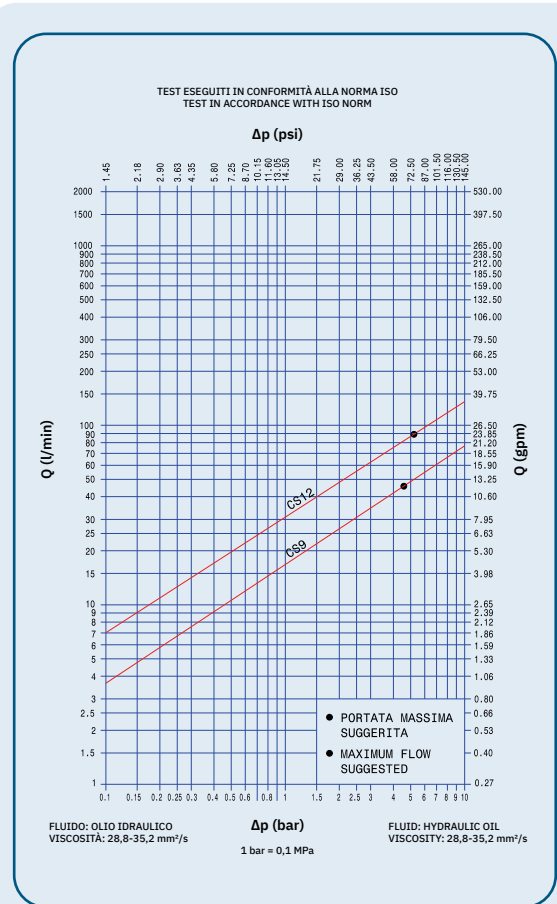
<b>Interchange</b> Stucchi profile (only for Stucchi multicouplings)	<b>Sealing description</b> Nitrile NBR	<b>Connection system</b> By multicoupling
<b>Available sizes</b> from 3/8" to 1/2"	<b>Material</b> Brass	<b>Available threads</b> BSP - NPT
<b>Operating pressure</b> Up to 10 bar	<b>Locking mechanism</b> PIN/CAM	<b>Flow rate</b> Up to 90 l/min
<b>Temperature (°C)</b> oil -20°/+100° water +5°/+60°	<b>Valving style</b> Flat face	<b>Connection under pressure</b> Connection: not allowed Disconnection: not allowed.

## BENEFITS

- The solution to conduct low pressure hydraulic oil, pneumatic or water lines.
- Valving design helps to reduce the inclusion of contamination to the circuit.
- Minimal fluid loss during connection / disconnection, reducing fluid loss to the environment.
- Minimal air inclusion during connection / disconnection, enhancing correct function of the circuit.
- Linear flow reduces internal turbulence and pressure drop, maintaining circuit efficiency in the entire system.
- Good corrosion resistance thanks to brass components construction
- The modular design allows flexibility with the range of port configurations (hose barb available on request).
- Allows to conduct in the same multiconnection different fluids: hydraulic oil, water, air.
- Couplings are assembled with a seeger ring for a quicker mounting or service on the multiconnection.
- Compact slim design.
- Safe and simple to use.

## HOW TO USE

- See instructions at page 158



## MAIN APPLICATIONS



## PERFORMANCE

Size		Series/Size	Max. flow suggested		Spillage*
Inch	mm (ISO)		l/min	gpm	ml
3/8	-	CS9	46	12.2	0.03
1/2	-	CS12	90	23.8	0.04

Size	Series/Size	Max. operating pressure						Burst pressure					
		Coupled		Male		Female		Coupled		Male		Female	
Inch		MPa	psi	MPa	psi	MPa	psi	MPa	psi	MPa	psi	MPa	psi
3/8	CS9	1	145	1	145	1	145	4	580	4	580	4	580
1/2	CS12	1	145	1	145	1	145	4	580	4	580	4	580

\* Spillage is an indicative value of the fluid loss per couple-uncouple cycle.

### Different possible configurations:

Other ports available upon request.  
Different threads available upon request.

**PL version**, free flow (without valve) on both sides.

### Temperature range:

Seals in NBR (Nitrile):

- for oil, from -20° C to +100° C (from -4° F to +212° F)

- for water, from +5° C + 60° C (from +41° F to +140° F)

Upon request seals in FKM (VITON®): from -15° C to +180° C (from +5° F to +356° F).

### Tests:

The couplings have been tested in according with ISO norm.

## ⚠ WARNING

A defect, a wrong choice or an improper use of products, can cause injury to persons, animals and objects.

Never connect or disconnect with dynamic pressure (e.g. pump on).

Do not use the female coupling disconnected with high impulse pressure.

Do not couple-uncouple with flow and/or pressure in the circuit.

Do not couple-uncouple when the temperature inside of the circuit is higher than 80 °C (176 °F).

Check the maximum allowable operating pressure of the port in use.

Make sure that the medium used is compatible with seal and material as indicated for each series.

In case of doubt please contact Stucchi Technical Support.

**It is MANDATORY to read and closely follow the instructions. Last updated version always apply at time of installation, see latest written Instructions on Stucchi website (stucchigroup.com) before selecting or using Stucchi products.**

Please read carefully General instructions for selection and use of the products in our master catalogues.

Do not couple-uncouple with flow and/or dynamic pressure in the circuit.

CS series is intended to be used only on Stucchi Multiconnections. Do not use the CS coupling on a Custom-made multiconnection or other device different than a Stucchi Multiconnection.

Do not disassemble, misuse, modify or damage the products.

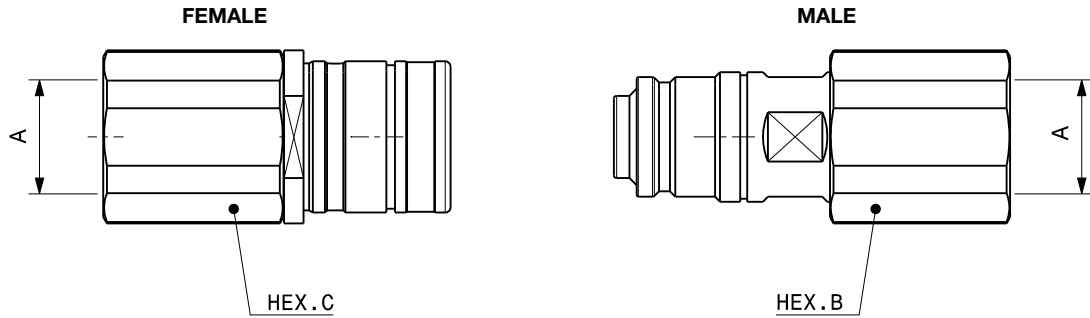
CS series has been tested & approved with hydraulic oil. CS series is intended to be used only with not dangerous fluids (water, hydraulic oil, air at low temperature/low pressure).

Do not use CS couplings with dangerous, inflammable or explosive fluids (steam, acids, very hot/flammable oils etc.).

Do not use CS couplings with very hot fluids (limits given by NBR seal compatibility & temperature range).

Do not use CS couplings with fluids below the freezing point to avoid damages due to ice expansion and consequential extrusion of the valving

## SPECIFICATIONS



### Port description: FEMALE THREAD BSPP (ISO 1179-1)

Body size	Descriptive Code	Item Code	Port (A)	Hex		Weight		
				mm	inch	Kg	Lbs	
3/8"	F CSF9BN 3/8 BSP	Female 802100002	3/8"	C	27,0	1,06	0,19	0,41
	M CSM9BN 3/8 BSP	Male 802100003		B	27,0	1,06	0,16	0,36
3/8"	F CSF9BN 1/2 BSP	Female 802100006	1/2"	C	27,0	1,06	0,18	0,39
	M CSM9BN 1/2 BSP	Male 802100007		B	27,0	1,06	0,16	0,34
1/2"	F CSF12BN 1/4 BSP	Female 802100000	1/4"	C	30,0	1,18	0,23	0,51
	M CSM12BN 1/4 BSP	Male 802100001		B	30,0	1,18	0,20	0,45
1/2"	F CSF12BN 1/2 BSP	Female 802100008	1/2"	C	30,0	1,18	0,24	0,52
	M CSM12BN 1/2 BSP	Male 802100009		B	30,0	1,18	0,22	0,48

### Port description: FEMALE THREAD NPT (ANSI B1.20.1)

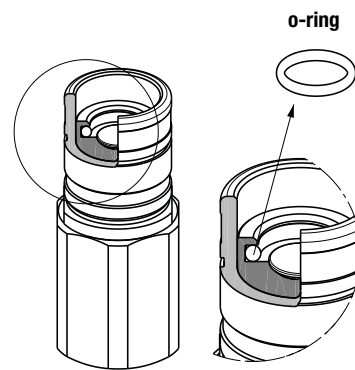
Body size	Descriptive Code	Item Code	Port (A)	Hex		Weight		
				mm	inch	Kg	Lbs	
3/8"	F CSF9BN 3/8 NPT	Female 802101000	3/8"	C	24,0	0,94	0,15	0,32
	M CSM9BN 3/8 NPT	Male 802101003		B	24,0	0,94	0,13	0,28
1/2"	F CSF12BN 1/2 NPT	Female 802101004	1/2"	C	30,0	1,18	0,24	0,52
	M CSM12BN 1/2 NPT	Male 802101005		B	30,0	1,18	0,21	0,45



## SPARE KIT SEAL FOR FEMALE

Repair kit		
Body Size	Description	Part Number
3/8"	SET OF 10 EXTERNAL OR CSF9	815701060
1/2"	SET OF 10 EXTERNAL OR CSF12	815701062

O-Ring in Nitrile  
(kit composed of 10 O-Ring for female coupling; 1 female = 1 O-Ring)



## REPAIR SEEGER

Repair kit seeger	
Part Number	Description
815701103	SET OF 10 SEEGER CSF9-CSM12
815701104	SET OF 10 SEEGER CSM9
815701105	SET OF 10 SEEGER CSF12

