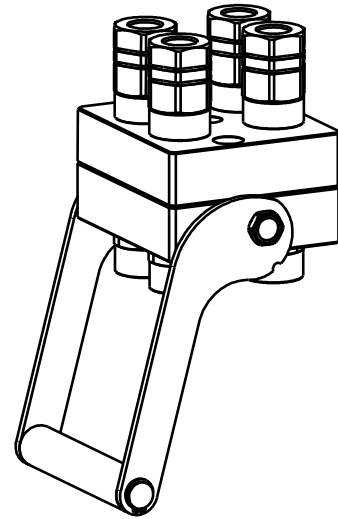


DP4 4B-2EC

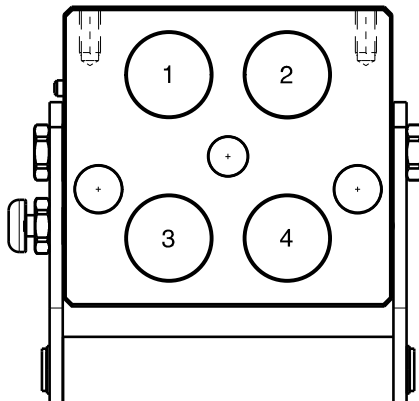
Previous description	Max. Resistance Body size	FAP9 (A) 3/8"	FAP13 (B) 1/2"	FAP15 (C) 5/8"	FAP17 (D) 3/4"	FAP21 (E) 1"	FAP30 (G) 1-1/2"
DP4-13ZN	17000 N		4				



DRAWING



CONFIGURATIONS



Possible configurations		
Pos	Coupling size	Predisposition for electrical connector
1	FAP13ZN	-
2	FAP13ZN	YES
3	FAP13ZN	YES
4	FAP13ZN	-

MultiCoupling (couplings included)

Code	Name	Description
870012007	MULTI COMPLETE DP4 4B	4 FAP13 3/4 BSP - CAP
870012008	MULTI COMPLETE DP4 4B	4 FAP13 1/2 BSP - CAP
870012009	MULTI COMPLETE DP4 4B	4 FAP13 1/2 NPT - CAP
870012107	MULTI FIX DP4 4B	4 FAP13 3/4 BSP
870012108	MULTI FIX DP4 4B	4 FAP13 1/2 BSP
870012109	MULTI FIX DP4 4B	4 FAP13 1/2 NPT
870012110	MULTI FIX DP4 2B 1EC	2 FAP13 1/2 BSP 1EC6
870012111	MULTI FIX DP4 2B	2 FAP13 1/2 BSP
870012207	MULTI MOBILE DP4 4B	4 FAP13 3/4 BSP
870012208	MULTI MOBILE DP4 4B	4 FAP13 1/2 BSP
870012209	MULTI MOBILE DP4 4B	4 FAP13 1/2 NPT
870012210	MULTI MOBILE DP4 2B 1EC	2 FAP13 1/2 BSP 1EC6

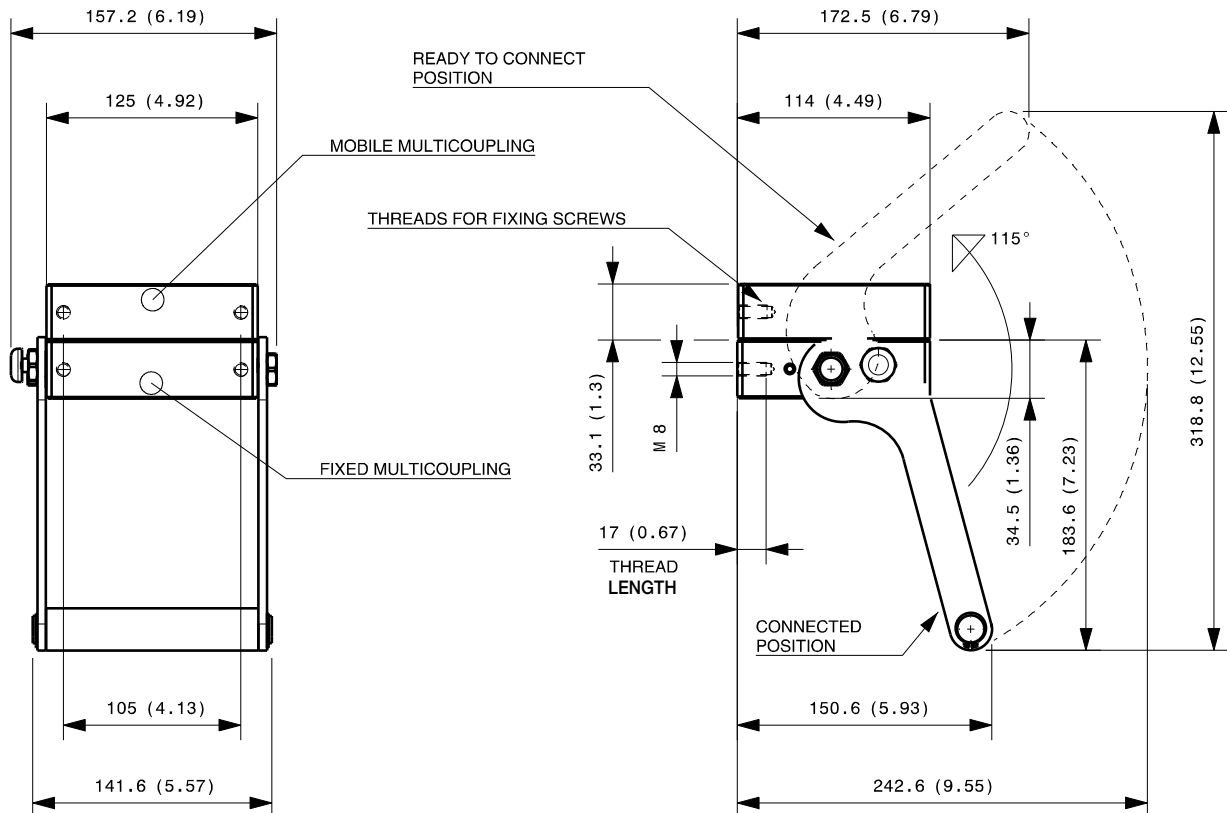
MultiCoupling spare parts (couplings not included)

Code	Name
806000350	MULTI FIX EMPTY DP4 4B-2EC
806000351	MULTI MOBILE EMPTY DP4 4B-2EC
815606282	CAP FIX MULTICOUPLING DP 125x114
815606283	PARKING STATION MOBILE MULTICOUPLING DP 125x114
815701085	SPARE KIT LEVER GROUP DP 170x142

Custom configurations
available upon request

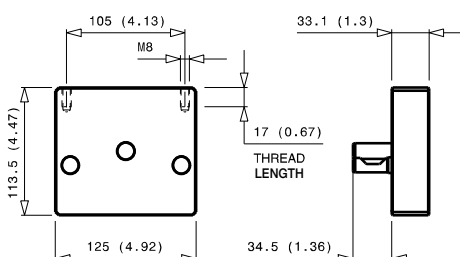
Fixed and mobile multicoupling

2,0 Kg and 1,0 Kg



Dimensions in millimeters (inch)

Cap for fixed multicoupling 1,0 Kg



Parking station for mobile multicoupling 1,2 Kg

