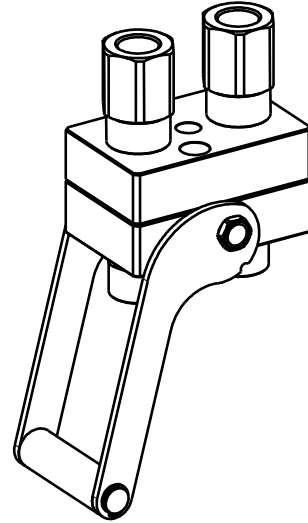


DP2 2C

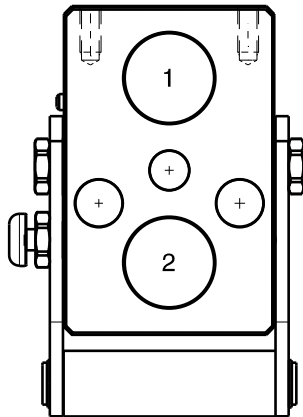
Previous description	Max. Resistance	FAP9 (A)	FAP13 (B)	FAP15 (C)	FAP17 (D)	FAP21 (E)	FAP30 (G)
DP2-15	15500 N	3/8"	1/2"	5/8"	3/4"	1"	1-1/2"
				2			



DRAWING



CONFIGURATIONS



Possible configurations		
Pos	Coupling size	Predisposition for electrical connector
1	FAP15ZN	-
2	FAP15ZN	-

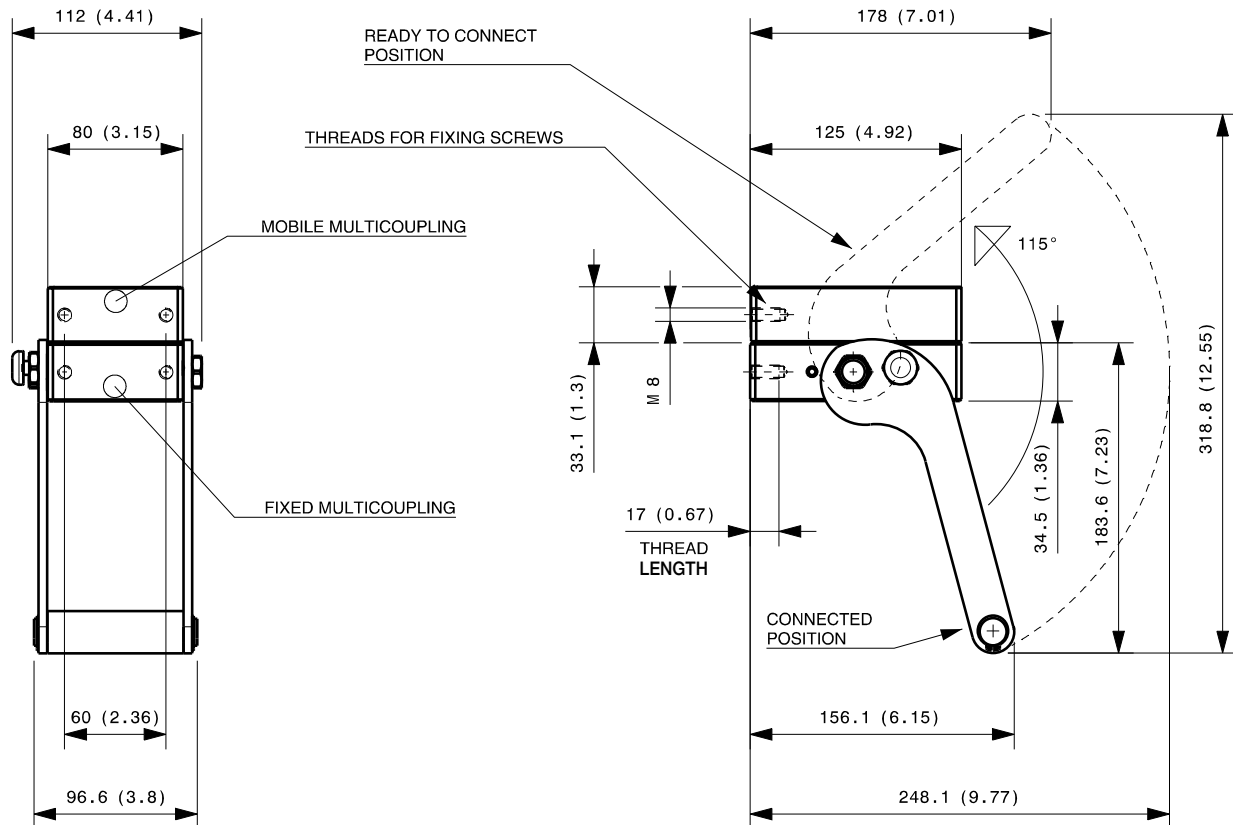
MultiCoupling (couplings included)		
Code	Name	Description
870008018	MULTI COMPLETE DP2 2C	2 FAP15 3/4 BSP - CAP
870008118	MULTI FIX DP2 2C	2 FAP15 3/4 BSP
870008218	MULTI MOBILE DP2 2C	2 FAP15 3/4 BSP

MultiCoupling spare parts (couplings not included)	
Code	Name
806000308	MULTI FIX EMPTY DP2 2C
806000309	MULTI MOBILE EMPTY DP2 2C
815606238	CAP FIX MULTICOUPLING DP 125x80
815606239	PARKING STATION MOBILE MULTICOUPLING DP 125x80
815701082	SPARE KIT LEVER GROUP DP 170x97

Custom configurations available upon request

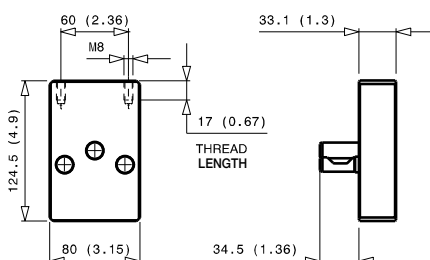
Fixed and mobile multicoupling

1,6 Kg and 0,8 Kg



Dimensions in millimeters (inch)

Cap for fixed multicoupling 0,8 Kg



Parking station for mobile multicoupling 0,8 Kg

