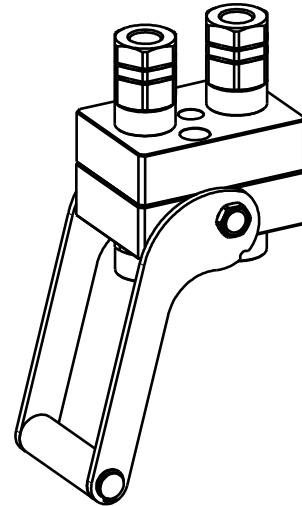


DP2 2B-1EC

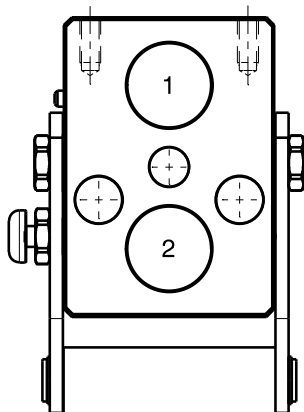
Previous description	Max. Resistance Body size	FAP9 (A) 3/8"	FAP13 (B) 1/2"	FAP15 (C) 5/8"	FAP17 (D) 3/4"	FAP21 (E) 1"	FAP30 (G) 1-1/2"
DP2-13ZN	12000 N		2				



DRAWING



CONFIGURATIONS



Possible configurations		
Pos	Coupling size	Predisposition for electrical connector
1	FAP13ZN	YES
2	FAP13ZN	-

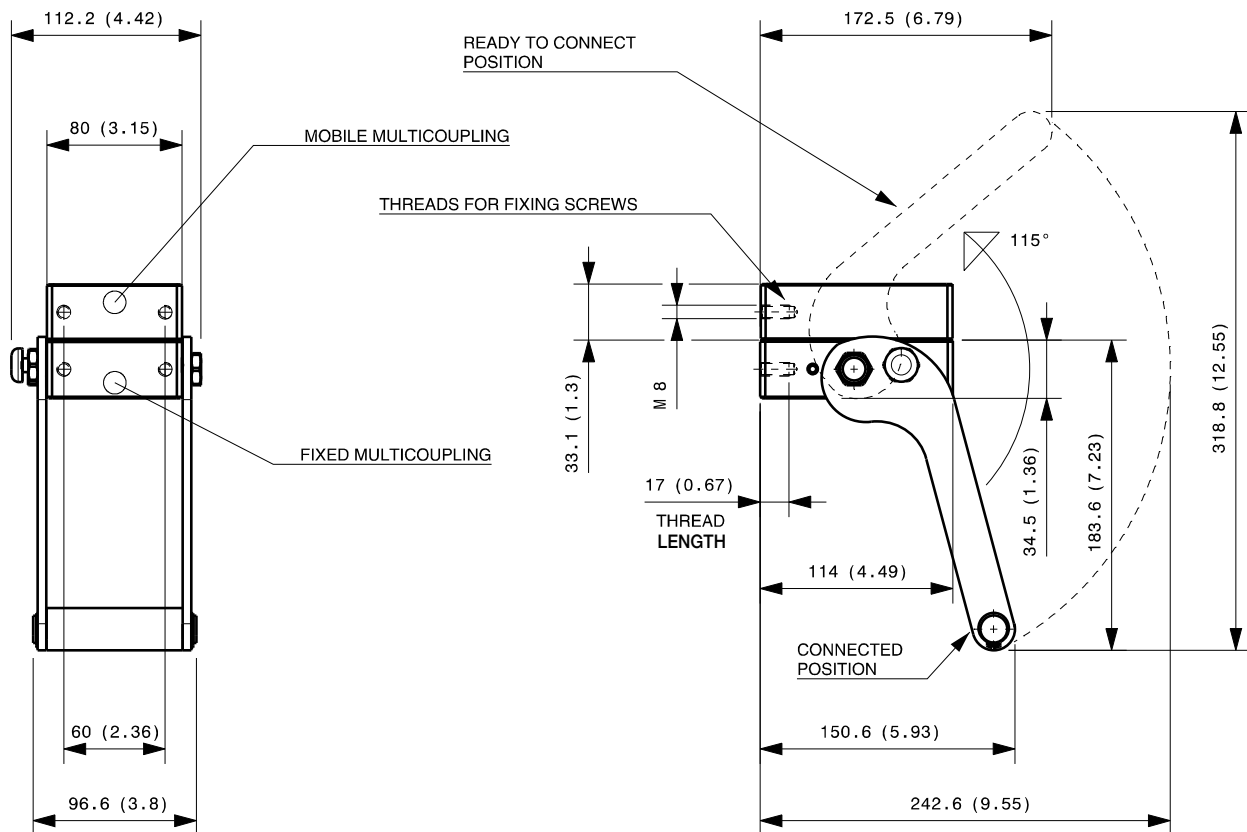
MultiCoupling (couplings included)		
Code	Name	Description
870008016	MULTI COMPLETE DP2 2B	2 FAP13 3/4 BSP - CAP
870008019	MULTI COMPLETE DP2 2B	2 FAP13 1/2 BSP - CAP
870008032	MULTI COMPLETE DP2 2B	2 FAP13 1/2 NPT - CAP
870008119	MULTI FIX DP2 2B	2 FAP13 1/2 BSP
870008219	MULTI MOBILE DP2 2B	2 FAP13 1/2 BSP
870008216	MULTI MOBILE DP2 2B	2 FAP13 3/4 BSP

MultiCoupling spare parts (couplings not included)	
Code	Name
806000346	MULTI FIX EMPTY DP2 2B-1EC
806000347	MULTI MOBILE EMPTY DP2 2B-1EC
815606270	CAP FIX MULTICOUPLING DP 114x80
815606271	PARKING STATION MOBILE MULTICOUPLING DP 114x80
815701082	SPARE KIT LEVER GROUP DP 170x97

Custom configurations available upon request

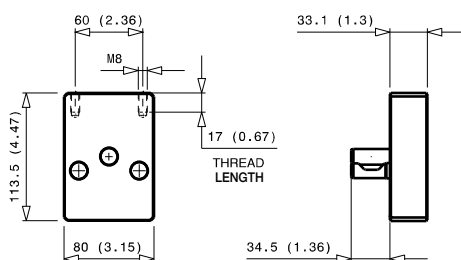
Fixed and mobile multicoupling

1,6 Kg and 0,8 Kg



Dimensions in millimeters (inch)

Cap for fixed multicoupling 0,8 Kg



Parking station for mobile multicoupling 0,8 Kg

