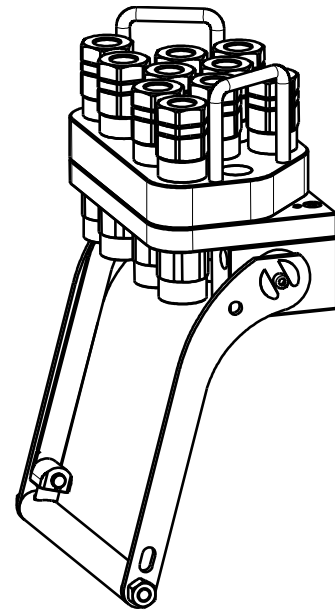


# GR10 10B-2EC

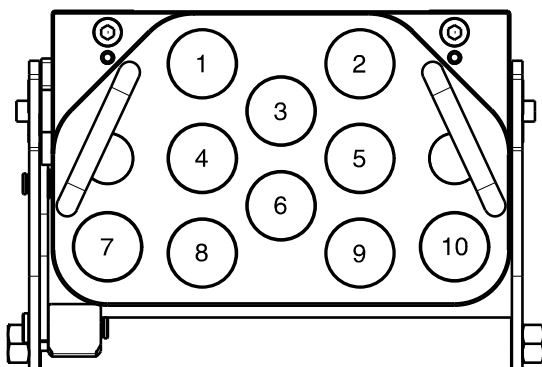
Previous description	Max. Resistance Body size	FAP9 (A) 3/8"	FAP13 (B) 1/2"	FAP15 (C) 5/8"	FAP17 (D) 3/4"	FAP21 (E) 1"	FAP30 (G) 1-1/2"
GR10-13ZN	23000 N		10				



## DRAWING



## CONFIGURATIONS



Possible configurations		
Pos	Coupling size	Predisposition for electrical connector
1	FAP13ZN	-
2	FAP13ZN	-
3	FAP13ZN	-
4	FAP13ZN	-
5	FAP13ZN	-
6	FAP13ZN	-
7	FAP13ZN	YES
8	FAP13ZN	-
9	FAP13ZN	-
10	FAP13ZN	YES

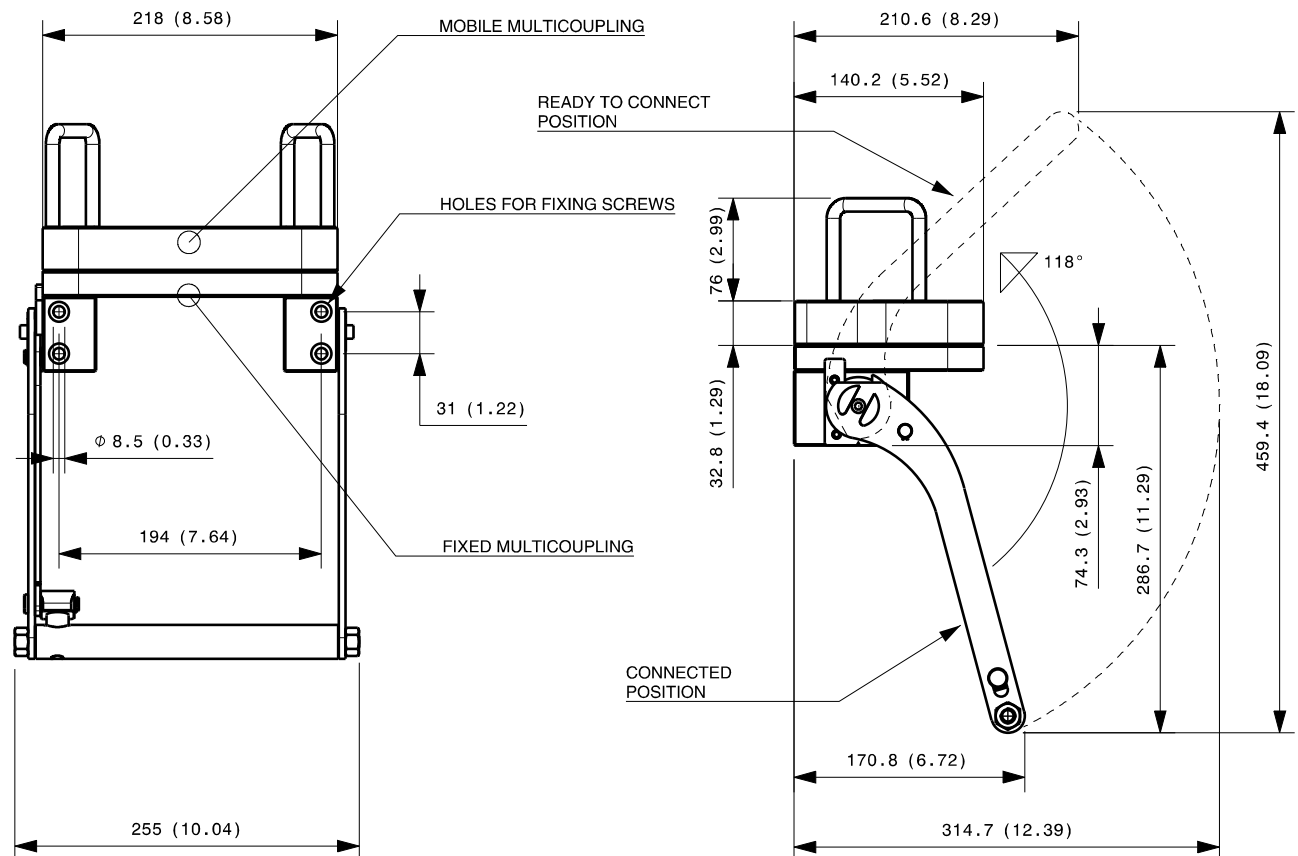
MultiCoupling (couplings included)		
Code	Name	Description
870010008	MULTI COMPLETE GR10 10B	10 FAP13 3/4 BSP - CAP
870010009	MULTI COMPLETE GR10 10B	10 FAP13 1/2 BSP - CAP
870010010	MULTI COMPLETE GR10 10B	10 FAP13 1/2 NPT - CAP
870010109	MULTI FIX GR10 10B	10 FAP13 1/2 BSP
870010111	MULTI FIX GR10 8B	4 FAP13 1/2 SAE - 4 FAP13 3/4 SAE
870010112	MULTI FIX GR10 8B	8 FAP13 3/4 SAE
870010209	MULTI MOBILE GR10 10B	10 FAP13 1/2 BSP
870010211	MULTI MOBILE GR10 8B	4 FAP13 1/2 SAE - 4 FAP13 3/4 SAE

MultiCoupling spare parts (couplings not included)		
Code	Name	Description
806000336	MULTI FIX EMPTY GR10 10B-2EC	
806000337	MULTI MOBILE EMPTY GR10 10B-2EC	
815606262	CAP FIX MULTICOUPLING GR 218x140	
815606263	PARKING STATION MOBILE MULTICOUPLING GR 218x150	
815701056	SPARE KIT LEVER GROUP GR 250x256	

Custom configurations available upon request

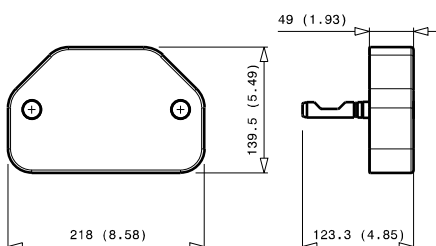
## Fixed and mobile multicoupling

7,5 Kg and 4,3 Kg



Dimensions in millimeters (inch)

## Cap for fixed multicoupling 1,7 Kg



## Parking station for mobile multicoupling 3,4 Kg

