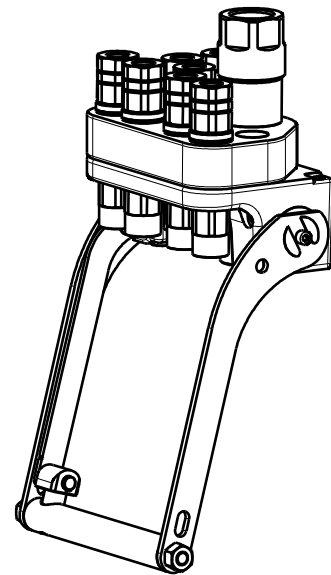


GR8 7A-1D-7EC

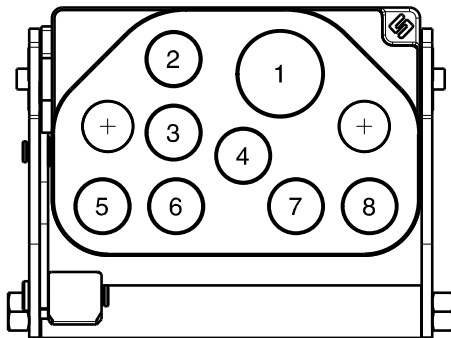
Previous description	Max. Resistance	FAP9 (A)	FAP13 (B)	FAP15 (C)	FAP17 (D)	FAP21 (E)	FAP30 (G)
Body size		3/8"	1/2"	5/8"	3/4"	1"	1-1/2"
GR8AAZN	23000 N	7	D		1		



DRAWING



CONFIGURATIONS



Possible configurations		
Pos	Coupling size	Predisposition for electrical connector
1	FAP17ZN	-
2	FAP9DZN	YES
3	FAP9DZN	YES
4	FAP9DZN	YES
5	FAP9DZN	YES
6	FAP9DZN	YES
7	FAP9DZN	YES
8	FAP9DZN	YES

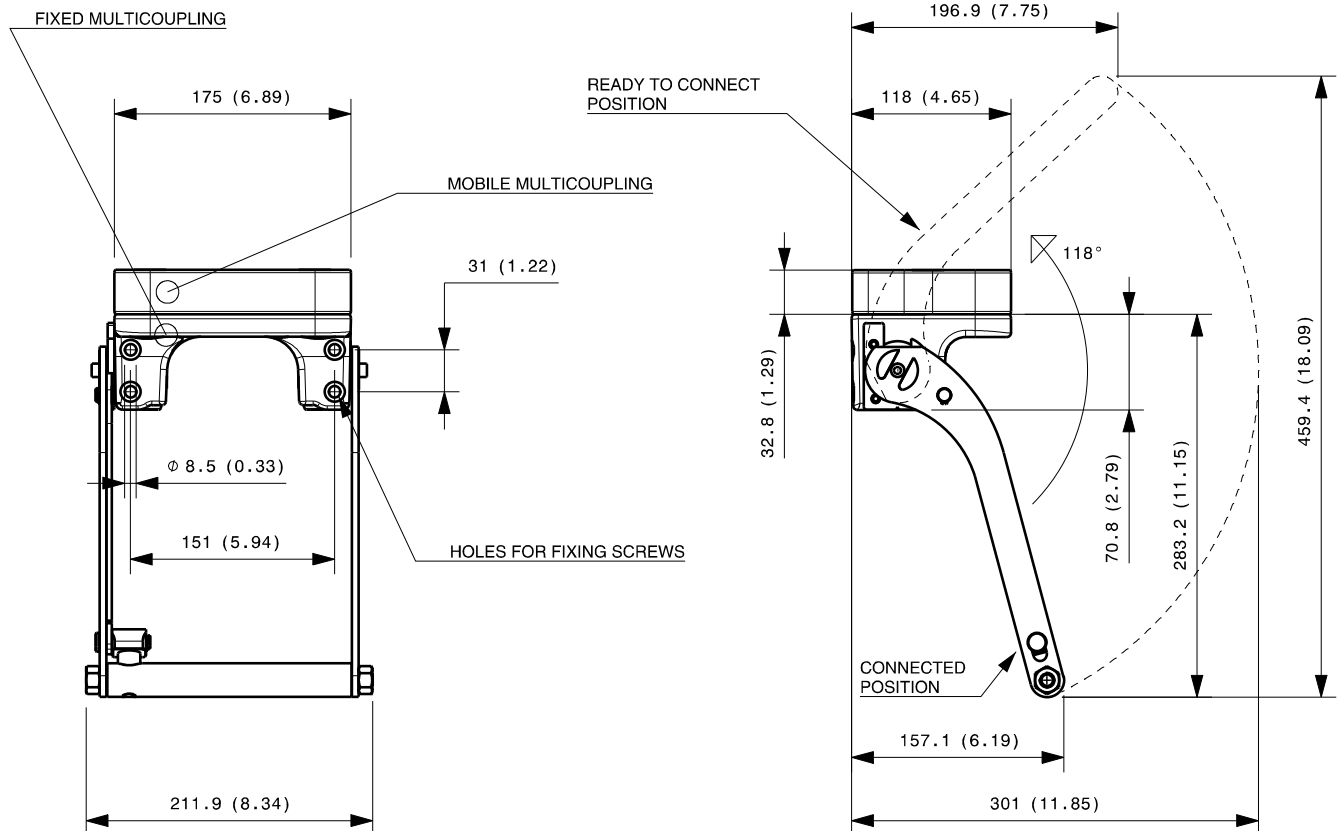
MultiCoupling (couplings included)		
Code	Name	Description
870016021	MULTI COMPLETE GR8 7A-1D	7 FAP9D 3/8 BSP - 1 FAP17 1 BSP - CAP
870016070	MULTI COMPLETE GR8 6A-1D-1EC	6 FAP9D 3/8 BSP - 1 FAP17 3/4 BSP - 1 EC7 - CAP
870016121	MULTI FIX GR8 7A-1D	7 FAP9D 3/8 BSP - 1 FAP17 1 BSP
870016221	MULTI MOBILE GR8 7A-1D	7 FAP9D 3/8 BSP - 1 FAP17 1 BSP
870016271	MULTI MOBILE GR8 6A-1D	6 FAP9D 3/8 BSP - 1 FAP17 3/4 BSP

MultiCoupling spare parts (couplings not included)		
Code	Name	
806000332	MULTI FIX EMPTY GR8 7A-1D-7EC	
806000333	MULTI MOBILE EMPTY GR8 7A-1D-7EC	
815606260	CAP FIX MULTICOUPLING GR 175x117 V02	
815606261	PARKING STATION MOBILE MULTICOUPLING GR 180x120 V02	
815701055	SPARE KIT LEVER GROUP GR 250x212	

Custom configurations available upon request

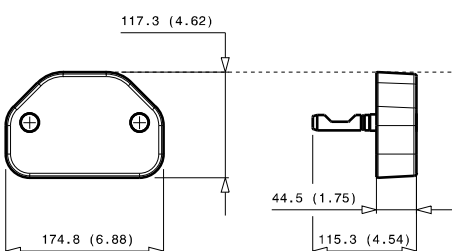
Fixed and mobile multicoupling

5,7 Kg and 2,8 Kg



Dimensions in millimeters (inch)

Cap for fixed multicoupling 1,1 Kg



Parking station for mobile multicoupling 2,3 Kg

