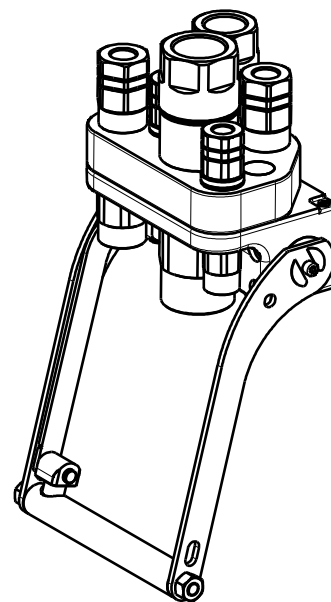


GR6 2A-2B-1D-1E-2EC

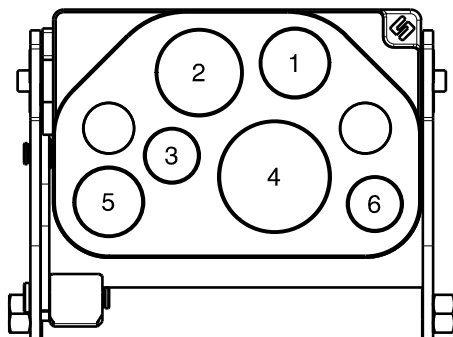
Previous description	Max. Resistance	FAP9 (A)		FAP13 (B)	FAP15 (C)	FAP17 (D)	FAP21 (E)	FAP30 (G)
Body size		3/8"	D	1/2"	5/8"	3/4"	1"	1-1/2"
GRU6ZN	23000 N	2	D	2		1	1	



DRAWING



CONFIGURATIONS



Possible configurations		
Pos	Coupling size	Predisposition for electrical connector
1	FAP13ZN	-
2	FAP17ZN	-
3	FAP9DZN	YES
4	FAP21ZN	-
5	FAP13ZN	-
6	FAP9DZN	YES

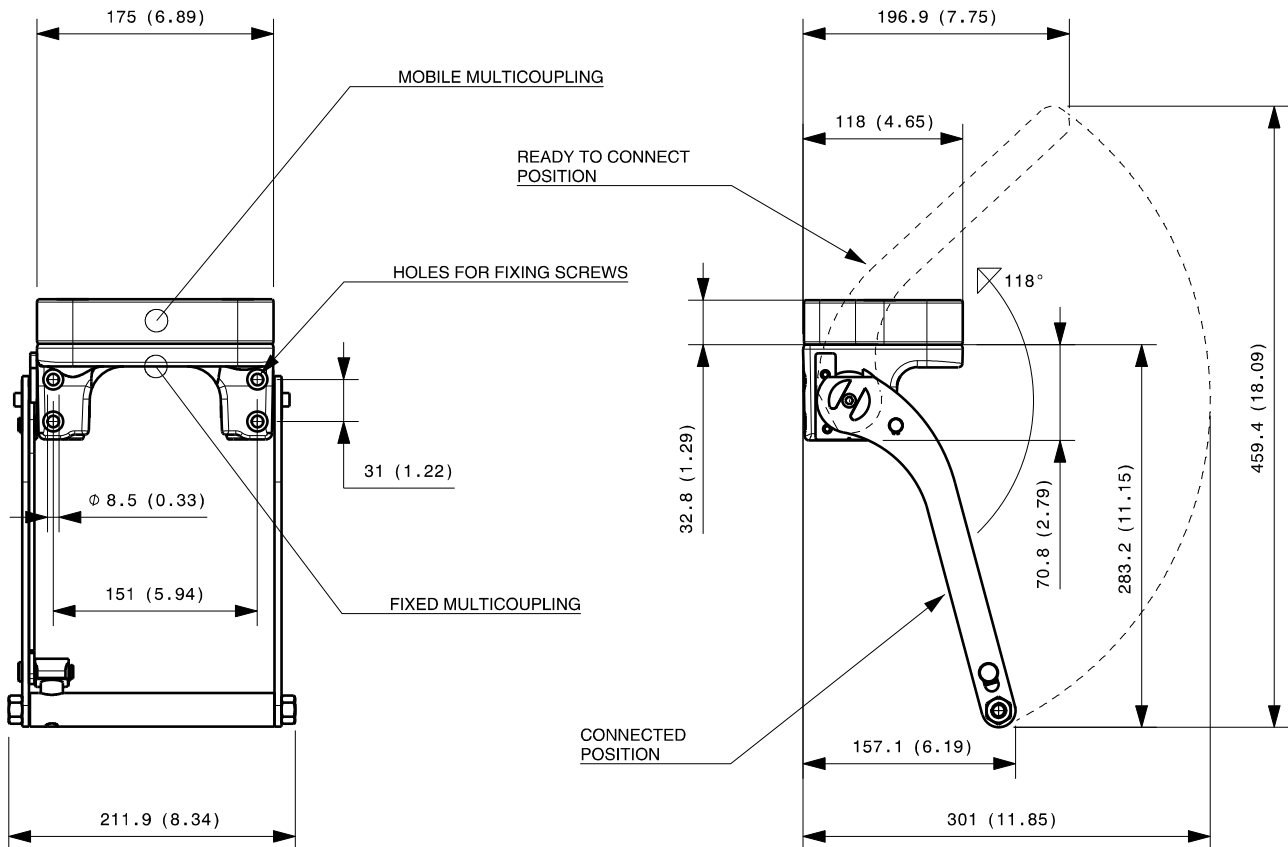
MultiCoupling (couplings included)		
Code	Name	Description
870015059	MULTI COMPLETE GR6 1A-2B-1D-1E	1 FAP9D 3/8 BSP - 2 FAP13 1/2 BSP - 1 FAP17 1 BSP - 1 FAP21 1-1/4 BSP - CAP
870015070	MULTI COMPLETE GR6 1A-2B-1D-1E	1 FAP9D 3/8 BSP - 2 FAP13 1/2 BSP - 1 FAP17 1 BSP - 1 FAP21 1-1/4 BSP - CAP
870015093	MULTI COMPLETE GR6 1A-2B-1D	1 FAP9D 3/8 BSP - 2 FAP13 1/2 BSP - 1 FAP17 3/4 BSP - CAP
870016080	MULTI COMPLETE GR6 2A-2B-1D-1E	2 FAP9D 3/8 BSP - 2 FAP13 1/2 BSP - 1 FAP17 3/4 BSP - 1 FAP21 1-1/4 BSP - CAP
870015170	MULTI FIX GR6 1A-2B-1D-1E	1 FAP9D 3/8 BSP - 2 FAP13 1/2 BSP - 1 FAP17 1 BSP - 1 FAP21 1-1/4 BSP
870015270	MULTI MOBILE GR6 1A-2B-1D-1E	1 FAP9D 3/8 BSP - 2 FAP13 1/2 BSP - 1 FAP17 1 BSP - 1 FAP21 1-1/4 BSP
870016037	MULTI COMPLETE GR6 2A-2B-1D-1E	2 FAP9D 1/2 BSP - 2 FAP13 3/4 BSP - 1 FAP17 1 BSP - 1 FAP21 1-1/4 BSP - CAP

MultiCoupling spare parts (couplings not included)	
Code	Name
806000306	MULTI FIX EMPTY GR6 2A-2B-1D-1E-2EC
806000307	MULTI MOBILE EMPTY GR6 2A-2B-1D-1E-2EC
815606260	CAP FIX MULTICOUPLING GR 175x117 V02
815606261	PARKING STATION MOBILE MULTICOUPLING GR 180x120 V02
815701055	SPARE KIT LEVER GROUP GR 250x212

Custom configurations available upon request

Fixed and mobile multicoupling

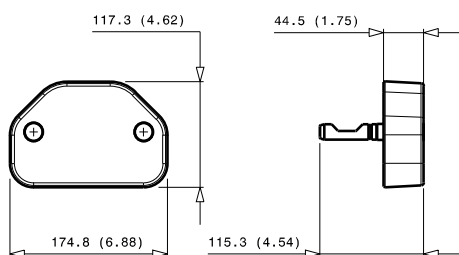
5,4 Kg and 2,6 Kg



Dimensions in millimeters (inch)

GR

Cap for fixed multicoupling 1,2 Kg



Parking station for mobile multicoupling 2,4 Kg

