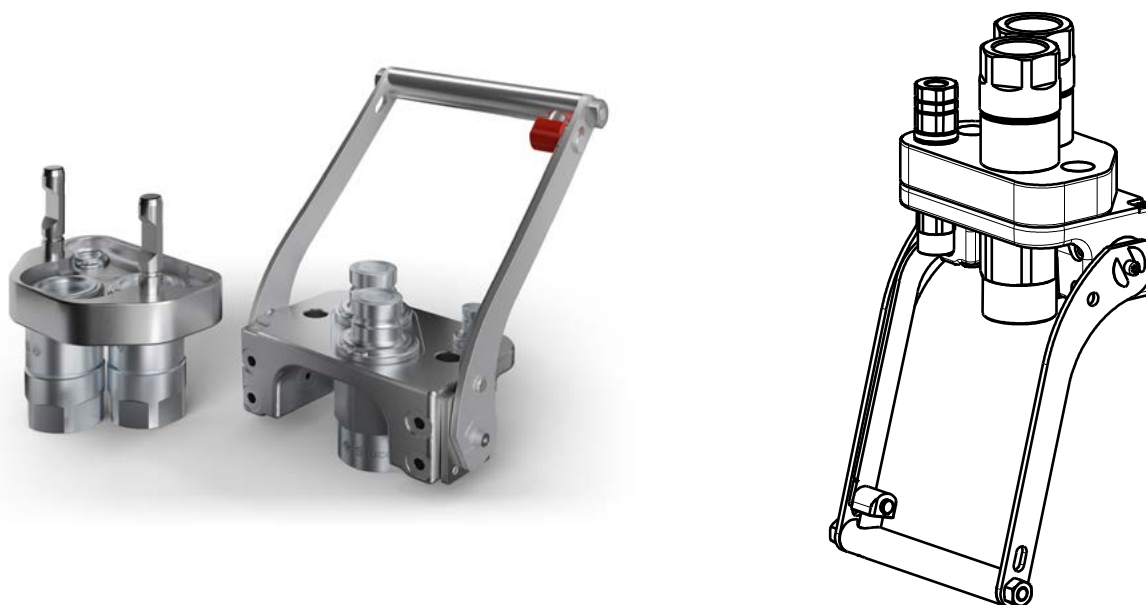


GR3 1A-2E-1EC

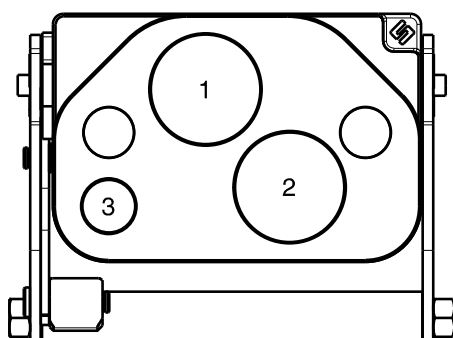
Previous description	Max. Resistance	FAP9 (A)	FAP13 (B)	FAP15 (C)	FAP17 (D)	FAP21 (E)	FAP30 (G)
Body size		3/8"	1/2"	5/8"	3/4"	1"	1-1/2"
GRK3ZN	23000 N	1	D			2	



DRAWING



CONFIGURATIONS



Possible configurations		
Pos	Coupling size	Predisposition for electrical connector
1	FAP21ZN	-
2	FAP21ZN	-
3	FAP9DZN	YES

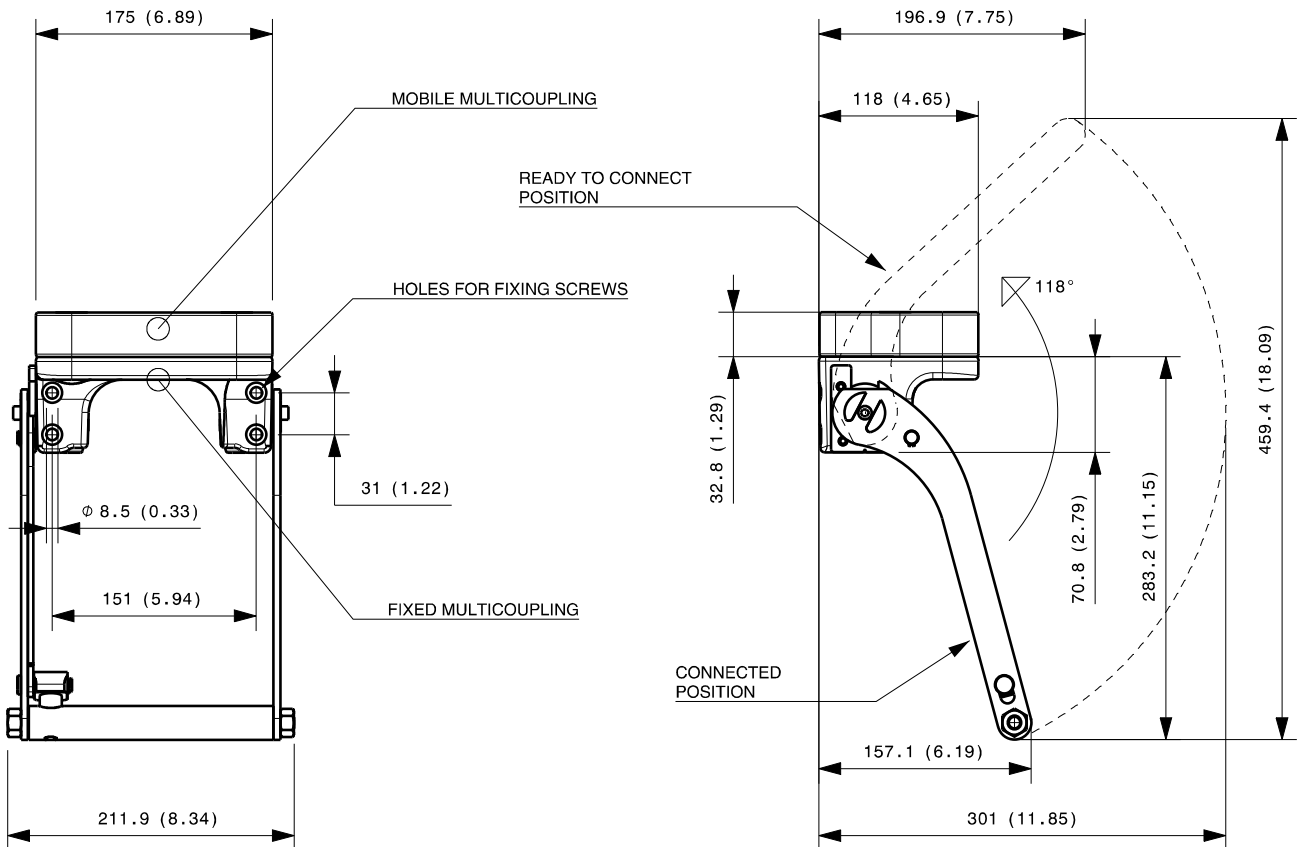
MultiCoupling (couplings included)		
Code	Name	Description
870015075	MULTI COMPLETE GR3 1A-2E	1 FAP9D 3/8 BSP - 2 FAP21 1 BSP - CAP
870015083	MULTI COMPLETE GR3 1A-2E	1 FAP9D 3/8 BSP - 2 FAP21 1-1/4 BSP - CAP
870016052	MULTI COMPLETE GR3 1A-2E	1 FAP9D 1/2 BSP - 2 FAP21 1 BSP - CAP
870016001	MULTI COMPLETE GR3 2E	2 FAP21 1-1/4 BSP - CAP
870015175	MULTI FIX GR3 1A-2E	1 FAP9D 3/8 BSP - 2 FAP21 1 BSP
870016101	MULTI FIX GR3 2E	2 FAP21 1-1/4 BSP
870015275	MULTI MOBILE GR3 1A-2E	1 FAP9D 3/8 BSP - 2 FAP21 1 BSP
870016201	MULTI MOBILE GR3 2E	2 FAP21 1-1/4 BSP

MultiCoupling spare parts (couplings not included)		
Code	Name	
806000310	MULTI FIX EMPTY GR3 1A-2E-1EC	
806000311	MULTI MOBILE EMPTY GR3 1A-2E-1EC	
815606260	CAP FIX MULTICOUPLING GR 175x117 V02	
815606261	PARKING STATION MOBILE MULTICOUPLING GR 180x120 V02	
815701055	SPARE KIT LEVER GROUP GR 250x212	

Custom configurations available upon request

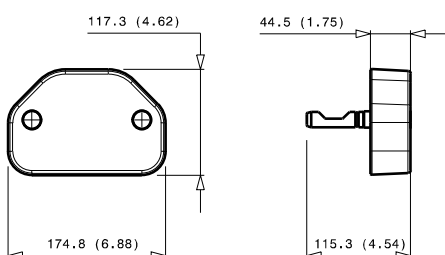
Fixed and mobile multicoupling

5,7 Kg and 2,8 Kg



Dimensions in millimeters (inch)

Cap for fixed multicoupling 1,2 Kg



Parking station for mobile multicoupling 2,4 Kg

2,4 Kg

