

SV2 1E-1G

SPECIAL SERIES



Easy
CUP



FAP9 (A) 3/8"	FAP13 (B) 1/2"	FAP15 (C) 5/8"	FAP17 (D) 3/4"	FAP21 (E) 1"	FAP30 (G) 1-1/2"	EC instead of DN9 or DN13
				1 - special	1 - special	

Technical specifications and options

Interchange Stucchi profile	Sealing Nitrile NBR	Available sizes 1" and 1-1/2"	Material Aluminium, Carbon steel
Valving style Flat face	Connection Under Pressure Allowed with Easy CUP	Operating pressure P: 350 bar, T: 20 bar	Locking mechanism Pin, Cam
Temperature -20°C / +100°C	Connection system Lever	Available threads BSP, NPT, SAE	Flow rate P: 378 l/min, T: 750 l/min

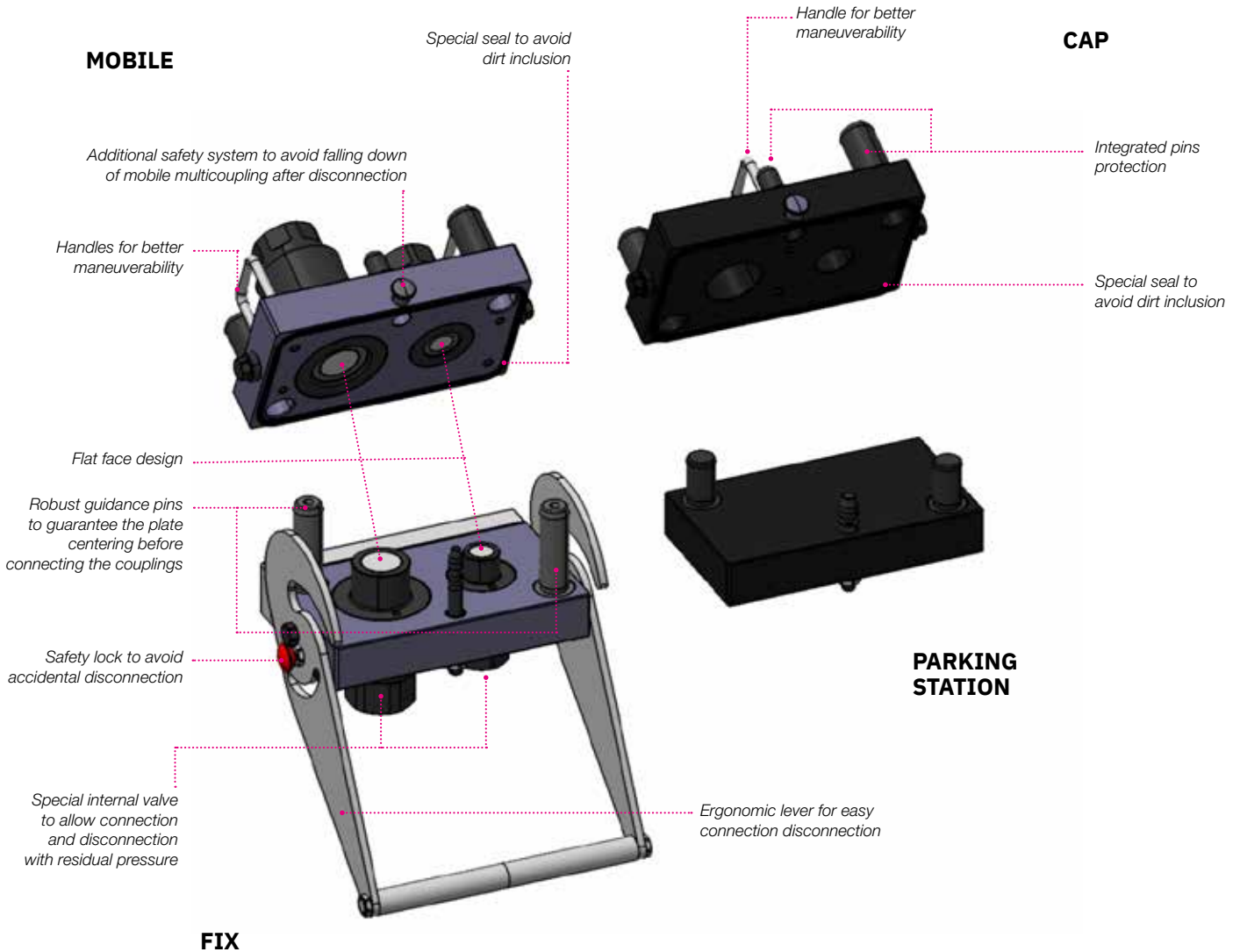
Benefits

- Specifically designed to connect simultaneously one pressure line size 1" and one return line size 1-1/2".
- The lever/cam system minimizes the force required to connect the couplings, even with significant pressure trapped in the circuit and under difficult conditions (environment, access, etc.).
- The locking mechanism ensures a full connection and prevents any accidental disconnection.
- Designed to be used with hydraulic oil for fluid power application.
- Safety system on the mobile plate avoids accidental falling during the disconnection.
- Special rubber seal prevents dirt inclusion.
- Robust guidance pins guarantee the correct alignment before the connection.
- Parking station and cover plates protects the system from contamination and damage as well as to provide a convenient storage solution.
- Flat face couplings are easy to clean, reducing the inclusion of contamination to the hydraulic circuit.
- Internal valve design creates minimal pressure drop, maintaining circuit efficiency in the system.
- Minimal fluid loss during disconnection, reducing fluid loss to the environment.
- Minimal air inclusion during connection/disconnection.
- High resistance at impulse pressures.
- Safe and simple to use.

Main applications



Features



Performances (with FAP21 and FAP30)

Size	Series	Max. flow suggested		Spillage*	Max. operating pressure					
					Coupled		Male		Female	
Inch		l/min	GPM	ml	MPa	psi	MPa	psi	MPa	psi
1	FAP21AS1	378	100,17	0,06	25	3625	25	3625	25	3625
1-1/2	FAP30AS2	750	198,75	0,2	2	290	2	290	2	290

* Spillage is an indicative value of the fluid loss per couple-uncouple cycle.

Temperature range:

Standard seals NBR, PUR, POM from -20 °C to +100 °C (from -4 °F to +212 °F).

Tests:

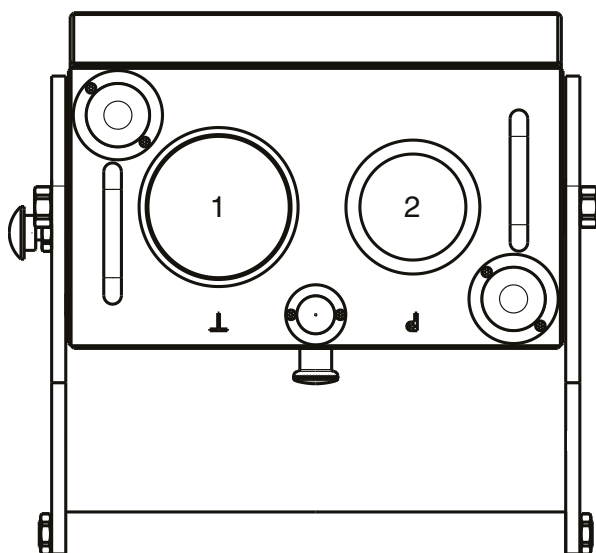
The couplings have been tested at max. operating pressure for 200.000 impulses in connected position in accordance with ISO norm.

Different threads available upon request.

Installation, use and maintenance

- Install the fixed multiconnection with the proper fixing holes, by referring to the drawing shown in the datasheet.
- Install the flexible hoses on the coupling of the fixed and mobile multiconnection, by screwing them with proper torque.
- Notice: the multiconnection has a mark with “P” near the coupling hole of FAP21 and a “T” near the coupling FAP30.
- That means the pressure line has to be connected to “P” line (FAP21), the drain line has to be connected with “T” line (FAP30).
- Clean the mating surface of the parts prior to connect.
- Connect the mobile multiconnection by engaging the guiding pins into the fixed multiconnection.
- Disengage the button of the safety lock then connect the multiconnection by rotating the lever until the stroke is complete and the locking button engaged again in the closed position.
- When the mobile is connected with the fixed multiconnection, the cap can be easily parked in the parking station.
- To disconnect, disengage the locking button then rotate by doing vice versa the sequence above described.
- Then disengage the safety “anti-fall” locking system by pulling the knob on the mobile and separate the mobile multiconnection.
- After disconnection, clean the parts and apply the cap on the fixed part then connect the mobile part in the parking station to protect from dust and dirt.
- Clean frequently the multiconnection and the components.
- If needed, lubricate the connection and guiding parts.
- Check periodically the multiconnection by looking for leakage, damage or malfunctioning.

Configurations



Possible configurations

Position	Coupling Size	Predisposition for electrical connector
1	FAP30	-
2	FAP21	-

Plates and spare parts

Multicoupling (couplings included)

Code	Name	Description
870022106	MULTI FIX SV2 1E-1G	1 FAP21AS 1-1/4 NPT - 1 FAP30AS 1-1/2 NPT
870022107	MULTI FIX SV2 1E-1G	1 FAP21AS 1-1/4 SAE - 1 FAP30AS 1-1/2 SAE
870022108	MULTI FIX SV2 1E-1G	1 FAP21AS 1 BSP - 1 FAP30AS 1-1/2 BSP
870022206	MULTI MOBILE SV2 1E-1G	1 FAP21AS 1-1/4 NPT - 1 FAP30AS 1-1/2 NPT
870022207	MULTI MOBILE SV2 1E-1G	1 FAP21AS 1-1/4 SAE - 1 FAP30AS 1-1/2 SAE
870022208	MULTI MOBILE SV2 1E-1G	1 FAP21AS 1 BSP - 1 FAP30AS 1-1/2 BSP

Multicoupling spare parts (couplings not included)

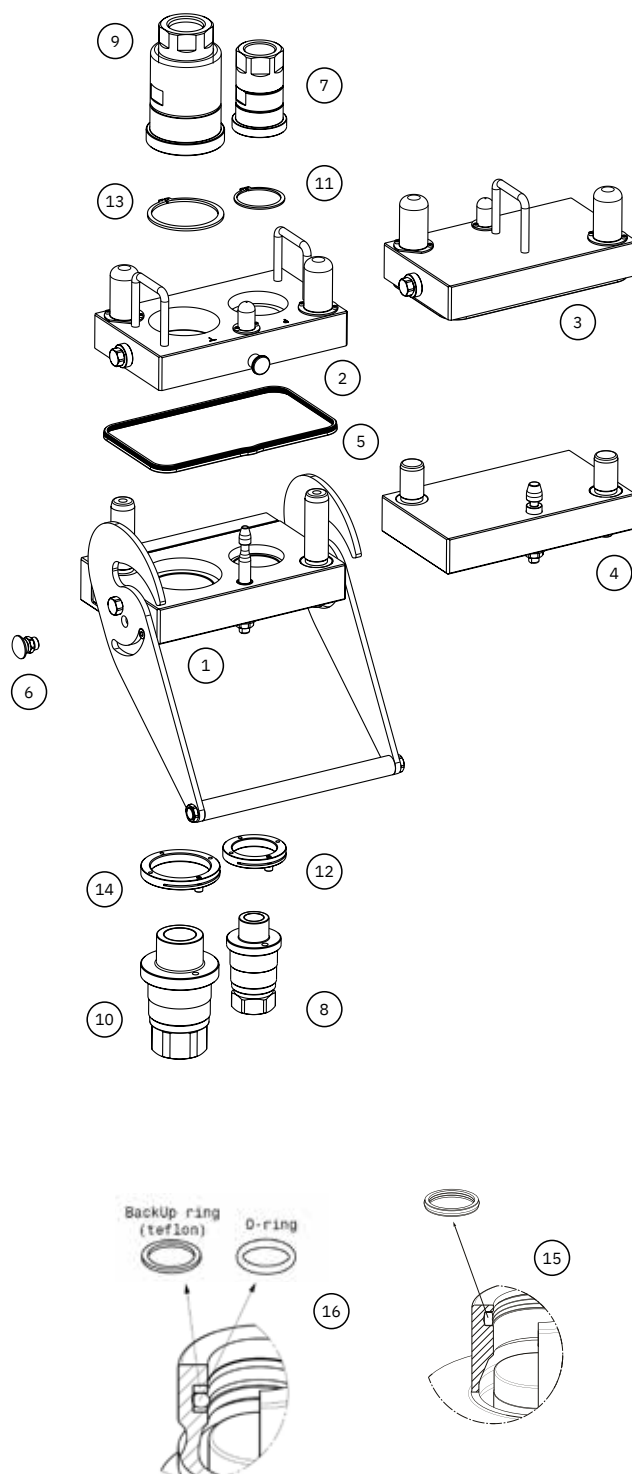
Code	Name	Key
806000378	MULTI FIX EMPTY SV2 1E-1G	1
806000379	MULTI MOBILE EMPTY SV2 1E-1G	2
815606288	CAP FIX MULTICOUPLING SV 280x160	3
815606289	PARKING STATION MOBILE MULTICOUPLING SV 280x160	4
815701168	SPARE KIT DUST SEAL PLATE SV2	5
815701296	SPARE KIT SAFETY BUTTON SV2	6

Spare parts

Code	Name	Key
807100054 *	F FAP21AS1 1 BSP	7
807100055 **	M FAP21AS1 1 BSP	8
807100058 *	F FAP30AS2 1-1/2 BSP	9
807100059 **	M FAP30AS2 1-1/2 BSP	10
807101002 *	F FAP21AS1 1-1/4 NPT	7
807101003 **	M FAP21AS1 1-1/4 NPT	8
807101006 *	F FAP30AS2 1-1/2 NPT	9
807101007 **	M FAP30AS2 1-1/2 NPT	10
807104012 *	F FAP21AS1 1-1/4 SAE	7
807104013 **	M FAP21AS1 1-1/4 SAE	8
807104010 *	F FAP30AS2 1-1/2 SAE	9
807104011 **	M FAP30AS2 1-1/2 SAE	10
815701154	SPARE KIT SEEGER F FAP21AS1	11
815701155	SPARE KIT LOCKING SLEEVE M FAP21AS1	12
815701156	SPARE KIT SEEGER F FAP30AS2	13
815701157	SPARE KIT LOCKING SLEEVE M FAP30AS2	14
815701159	SPARE KIT SEAL PUR M FAP21AS1	15
815701171	SPARE KIT OR NBR+BK M FAP30AS2	16

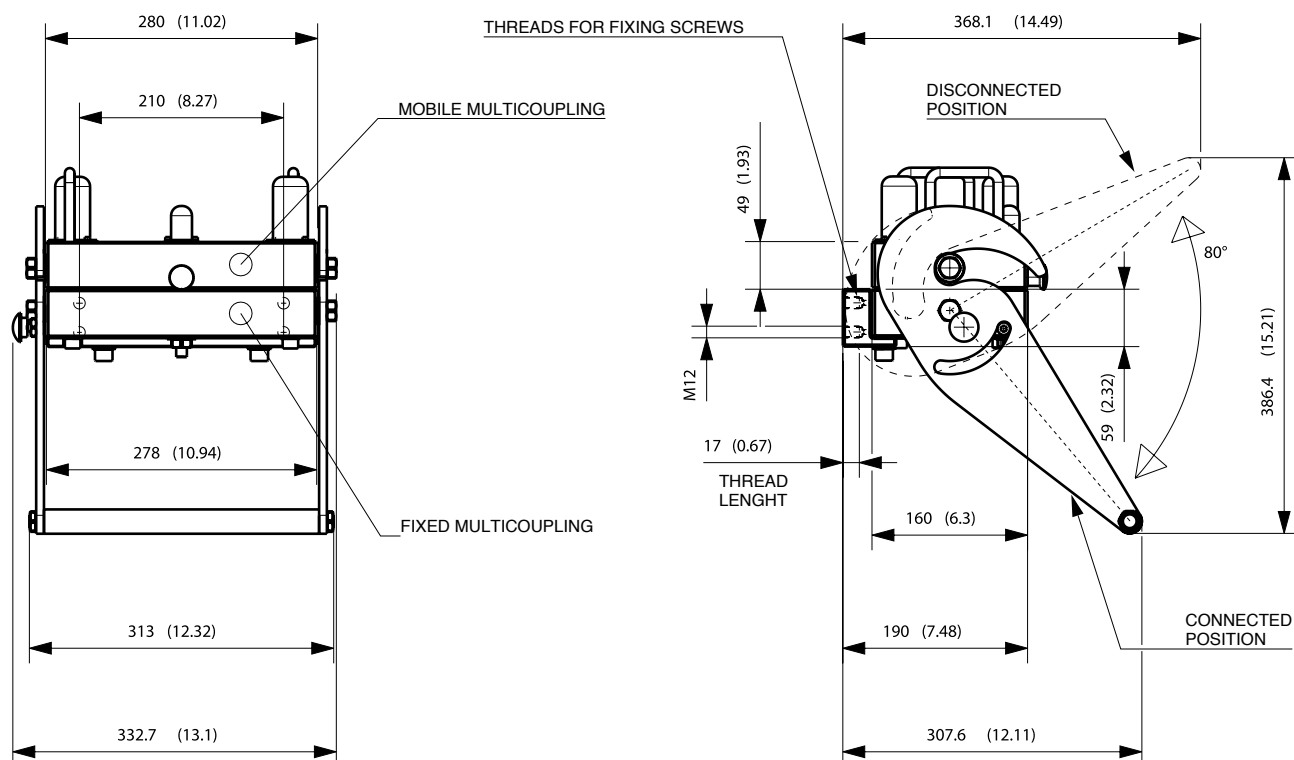
* Seeger ring is not included in the female coupling; to be ordered separately.

** Male locking sleeve and screw are not included in the female coupling; to be ordered separately.

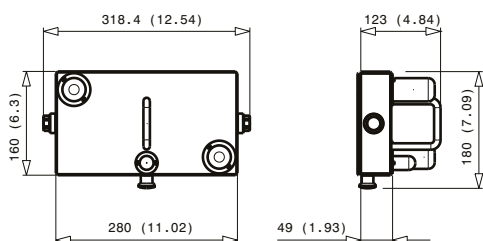


Overall dimensions

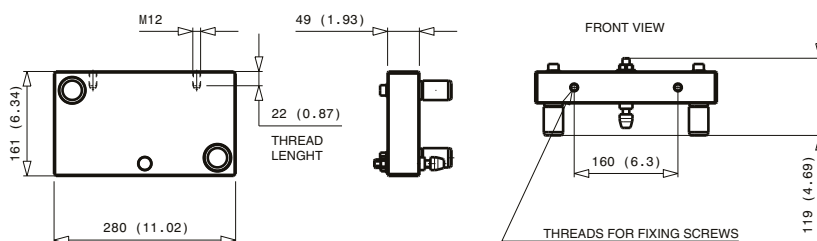
Fixed and mobile multicoupling



Cap for fix multicoupling



Parking station for mobile multicoupling



⚠ WARNINGS

A defect, a wrong choice or an improper use of products, can cause injury to persons, animals and objects. Connect under pressure products are suitable to be connected under residual (static) pressure. Never connect or disconnect with dynamic pressure (e.g. pump on). Do not use the female coupling disconnected with high impulse pressure. Do not couple-uncouple with flow in the circuit. Do not couple-uncouple when the temperature inside of the circuit is higher than 80 °C (176 °F). Check the maximum allowable working pressure of the port in use. It is important to limit contamination in the circuit to avoid compromising the function of the internal valves. Make sure that the medium used is compatible with seal and material as indicated for each series. Do not force the lever without pushing the red safety button. Do not use extensions or other tools to ease the rotating of the lever. Do not connect the fixed half with the mobile half if dirt or tools are between them. Pay attention during the connection not to put finger between the plates. We advise to assemble the multiconnection with the female face down in order to allow water or moisture to be drained easily. Do not exceed single coupling performance and total multiconnection resistance of the multiconnection (please refer to dedicated datasheet). When the multicoupling is disconnected, it is suggested to use the protection cover for the fixed half and the parking station for the mobile half. Do not to modify, disassemble or damage the multiconnection, part of it or coupling/electrical connector, the lever or safety lock system. Stucchi SV2 Multiconnections are intended to be used for hydraulic oil applications: do not use the products for dangerous, inflammable or explosive fluids. The quick coupling FAP-AS series is intended to be used only on Stucchi Multiconnections. Do not use the FAP-AS coupling on a custom-made multiconnection or other device different than a Stucchi Multiconnection. In case of doubt please contact Stucchi Technical Support. **It is MANDATORY to read and closely follow the instructions. Last updated version always applies at time of installation, see latest Instructions and warnings on Stucchi website (English version: www.stucchigroup.com/en) before selecting or using Stucchi products.**