

RT4-HP

SPECIAL SERIES



Easy
CUP



Technical specifications and options

| | | |
|--|--|--|
| Interchange Stucchi profile | Sealing description Nitrile NBR | Connection system Screw to connect, pull the sleeve and unscrew to disconnect |
| Available sizes 1/8" | Material /treatment Carbon steel/Cr3 | Available threads SAE |
| Operating pressure Up to 700 bar in P line | Locking mechanism Screw to connect | Flow rate 6 l/min |
| Temperature -20°C / +100°C | Valving style Flat face | Connection under pressure Connectable with pressure in female / Provided with special Shunt system |

Benefits

- Two parallel 1/8" lines connecting concurrently
- Quick to connect by hand rotating the sleeve holder for 150°
- Shunt system in the male coupling: when the male part is disconnected, the pressure line is connected with the return line, allowing to connect with pressure into the system
- Swivel joint to avoid torsion of the hoses
- Safety lock sleeve to avoid accidental disconnection
- Guidance pin to avoid wrong connection
- Easy connection thanks to the visual feedback on the ring and to the extra grip knurling
- Larger oil passages compared to the competition to increase the speed of work
- Flat face couplings for a reduced contamination
- Minimal spillage and inclusion of air
- Easy to use
- Compact design
- Hydraulic Equipment

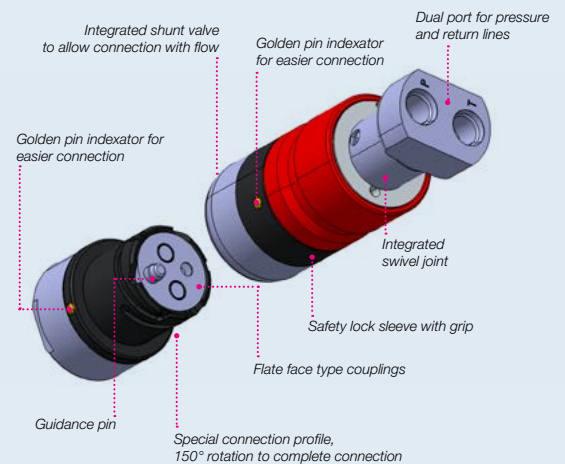
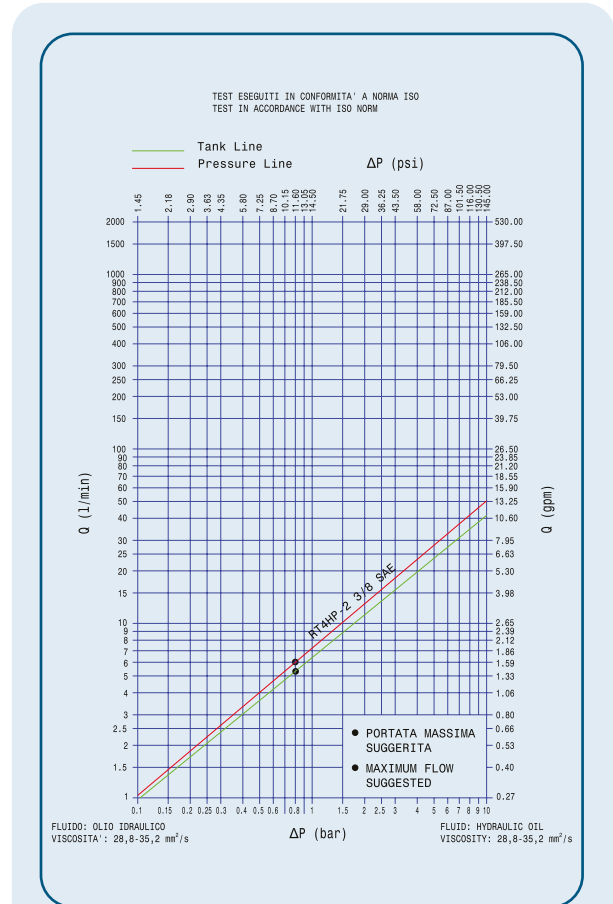
How to use

How to connect

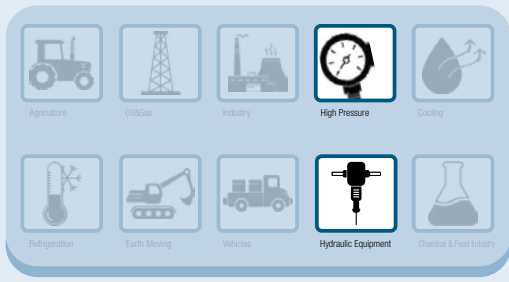
- 1 - Remove the caps, clean the mating surfaces prior to connect
- 2 - Align the female coupling ID Gold Pin with the male coupling ID Gold Pin, along with the guidance pin, then connect
- 3 - Rotate for 150° and engage the locking system

How to disconnect

- 1 - Pull back the safety sleeve to unlock
- 2 - Rotate back the sleeve for 150°
- 3 - Disconnect
- 4 - Apply the caps



MAIN APPLICATIONS



Performances

| Size | Series | Max. flow suggeste | | Spillage* | Max. operating pressure in P line | |
|------|--------|--------------------|------|-----------|-----------------------------------|-------|
| | | l/min | GPM | | Coupled | |
| Inch | | | | ml | MPa | psi |
| 1/8" | RT4HP | 6 | 1,59 | 0,005 | 70 | 10000 |

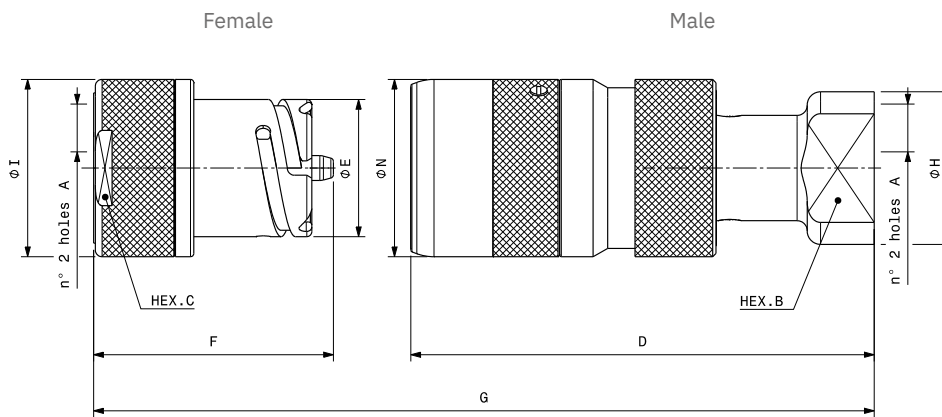
* Spillage is an indicative value of the fluid loss per couple-uncouple cycle.

Temperature range: Standard seals NBR (Nitrile) from -20°C to +100 °C (from -4 °F to +212 °F).

Tests: The couplings have been tested at impulse with max. operating pressure for 10.000 impulses according to ISO norm test method.

Other threads available upon request.

Special seals compatible with phosphate ester fluid (fire resistance fluid) available upon request.

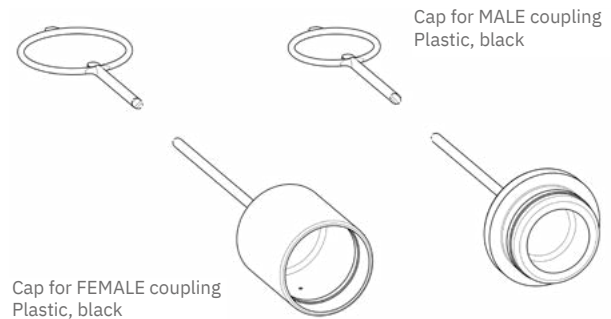


Overall dimensions

| Size | Descriptive code | Item code | PORT (A) | Overall length | | Length | | Hex | | Diameter | | Diameter | | |
|------|-------------------|-----------|------------|----------------|-------|--------|-------|------|------|----------|------|----------|------|------|
| | | | | mm | inch | mm | inch | mm | inch | mm | inch | mm | inch | |
| 1/8" | F RT4HP-2 3/8 SAE | 809804002 | 9/16-18UNF | G | 168,8 | F | 71,6 | 2,81 | C | 48 | 1,89 | I | 53 | 2,08 |
| | M RT4HP-2 3/8 SAE | 809804003 | 9/16-18UNF | E | 6,64 | D | 138,4 | 5,45 | B | 32 | 1,26 | H | 45,6 | 1,79 |

Protective caps for RT4-HP series

| Part Number | Protective caps |
|-------------|-------------------------------|
| 815603016 | PLASTIC CAP F RT4HP BLACK |
| 815603017 | PLASTIC CAP M RT4HP SAE BLACK |



⚠ WARNING

A defect, a wrong choice or an improper use of products, can cause injury to persons, animals and objects.

Do not use the female coupling disconnected with high impulse pressure.

Do not couple-uncouple when the temperature inside of the circuit is higher than 80 °C (176 °F).

Check the maximum allowable working pressure of the port in use.

Make sure that the medium used is compatible with seal and material as indicated for each series.

In case of doubt please contact Stucchi Technical Support.

It is MANDATORY to read and closely follow the instructions. Last updated version always applies at time of installation, see latest Instructions and warnings on Stucchi website before selecting or using Stucchi products.