

IRCXSERIES

INTERCHANGE > with similar product (Nordic interface)



Stucchi®



TECHNICAL FEATURES AND OPTIONS

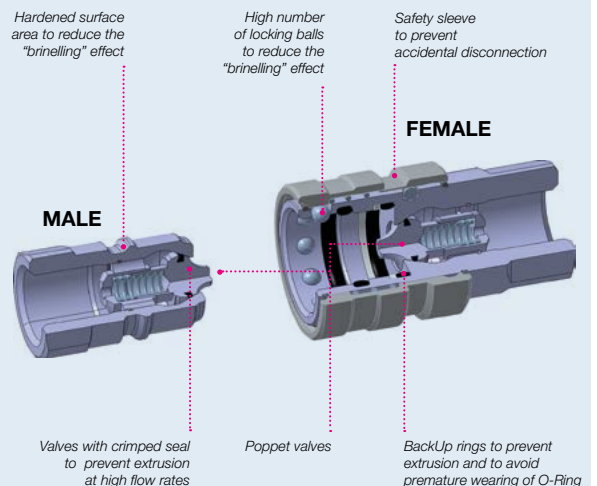
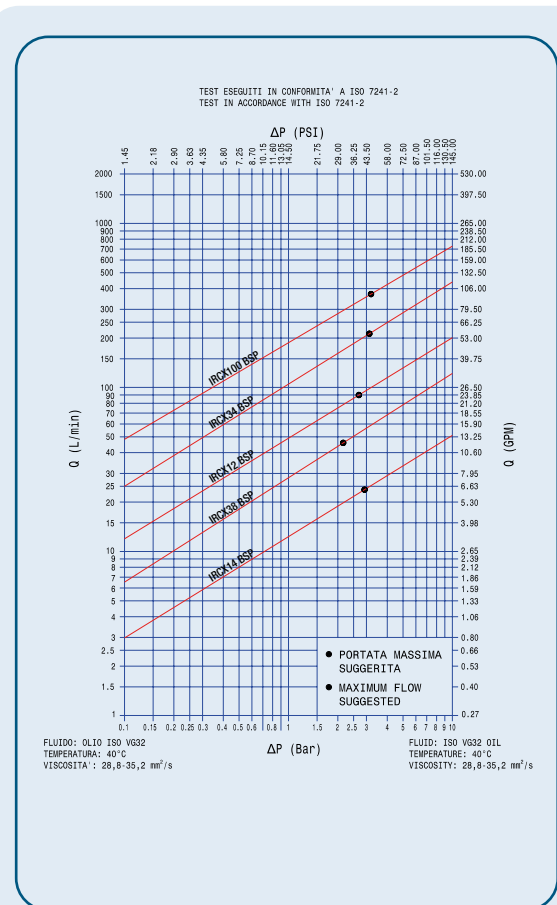
Interchange With similar product (Nordic interface)	Sealing description FKM (VITON®)	Connection system Single acting sleeve
Available sizes From 1/4" to 1"	Material Stainless steel (AISI 316L)	Available threads BSP
Operating pressure Up to 300 bar	Locking mechanism Ball locking + safety sleeve	Flow rate Up to 378 l/min
Temperature (°C) -15°C / +180°C	Valving style Poppet	Connection under pressure Not allowed

BENEFITS

- The poppet valve with elastomer seal provides maximum sealing of the couplings once disconnected.
- O-Ring + BackUp ring for optimum protection sealing.
- Additional O-Ring for extra sealing capacity and to contain spray effect to avoid soil contamination.
- High durability.
- Reference products for tough applications, typically used in Nordic countries.
- Safety sleeve to prevent accidental disconnection.
- Shape of internal parts is optimized to reduce turbulence and pressure drop.
- High resistance to pressure impulses.
- Compact design.
- Simple to use.

HOW TO USE

- Before to connect, clean the mating surface of the couplings to avoid dirt inclusion in the circuit.
- To connect: pull back the sleeve of the female coupling, align the female with the male coupling and push one into the other until both halves are fully connected and release the sleeve.
- To avoid accidental disconnection rotate safety sleeve.
- To disconnect: unlock the safety sleeve and pull back the sleeve of the female coupling, pull out the mating half.



MAIN APPLICATIONS





PERFORMANCES

Size		Series/Size	Max. flow suggested		Connect force		Disconnect force		Spillage*
in	mm		l/min	gpm	N	lbf	N	lbf	ml
1/4	6,3	IRC14	24	6,36	60	13,48	30	6,74	1,1
3/8	10	IRC38	46	12,19	90	20,23	35	7,86	2,5
1/2	12,5	IRC12	90	23,85	120	26,97	35	7,86	3,5
3/4	20	IRC34	212	56,18	170	38,21	45	10,11	15
1	25	IRC100	378	100,17	210	47,20	45	10,11	18

Size	Series/Size	Max. operating pressure						Burst pressure					
		Coupled		Male		Female		Coupled		Male		Female	
in	Stainless steel	MPa	psi	MPa	psi	MPa	psi	MPa	psi	MPa	psi	MPa	psi
1/4	IRC14X	30	4350	30	4350	30	4350	120	17400	120	17400	120	17400
3/8	IRC38X	30	4350	25	3625	25	3625	120	17400	100	14500	100	14500
1/2	IRC12X	30	4350	25	3625	25	3625	120	17400	100	14500	100	14500
3/4	IRC34X	20	2900	20	2900	20	2900	80	11600	60	8700	80	11600
1	IRC100X	20	2900	15	2175	15	2175	80	11600	45	6525	60	8700

* Spillage is an indicative value of the fluid loss during disconnection (according to ISO norm test method).

Material:

- Construction: Stainless steel AISI 316L
- Springs: AISI 302
- Locking ball: AISI 316

Different configuration possible

PL version (free flow without valve): available upon request.
SAE thread available upon request.

Temperature range:

Seals in FKM (VITON®): from -15°C to +180°C (from +5 °F to +356 °F).
Seals in NBR (Nitrile) with water from +5°C to +60°C (from +41°F to +140°F).
Please read carefully Instructions and warnings for proper selection of the products.

Tests performed:

The couplings have been tested according to ISO norm.
The couplings have been tested at max. operating pressure for 200.000 impulses in coupled position and 100.000 impulses in uncoupled position.



WARNING

A defect, a wrong choice or an improper use of products, can cause injury to persons, animals and objects.

Never connect or disconnect with dynamic pressure (e.g. pump on).

Do not use the coupling disconnected with high impulse pressure.

Do not couple-uncouple with flow and/or pressure in the circuit.

Do not couple-uncouple when the temperature inside of the circuit is higher than 80 °C (176 °F).

Check the maximum allowable working pressure of the port in use.

Make sure that the medium used is compatible with seal and material as indicated for each series.

In case of doubt please contact Stucchi Technical Support.

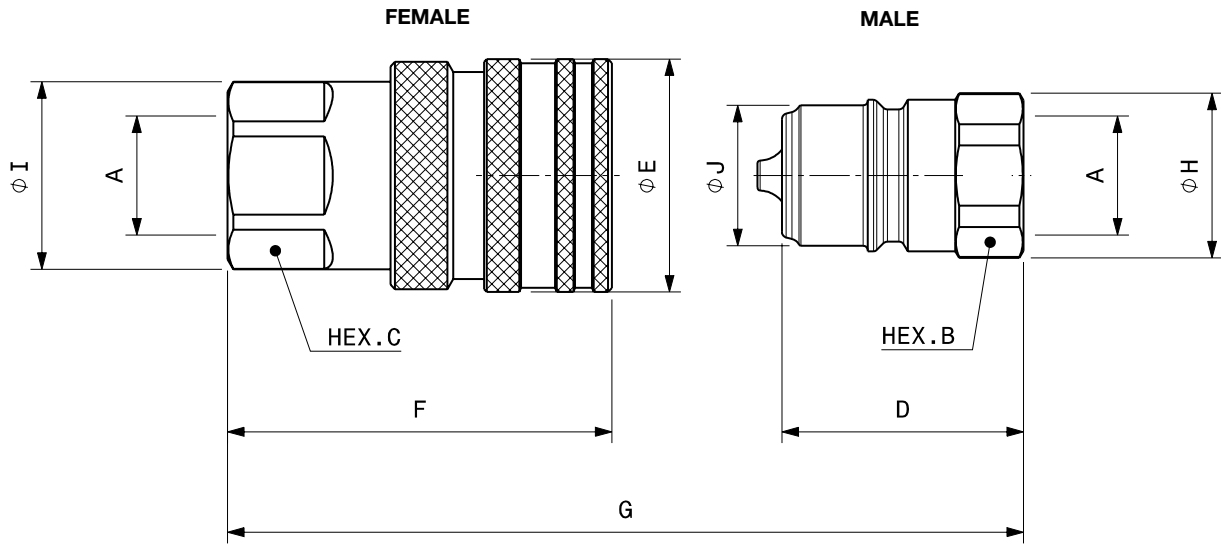
The interchangeability is mentioned under the assumption that the manufacturer of the considered products has not changed any dimension.

It is mandatory to carefully read and closely follow the instructions before selecting or using any Stucchi products.

Always refer to the version uploaded in the Instructions and warning section of stucchigroup.com website for the latest release.

For specific, product-related, instructions, please contact Stucchi technical service.

OVERALL DIMENSIONS



Port description: FEMALE THREAD BSPP (ISO 1179-1 & DIN 3852-2 form X)

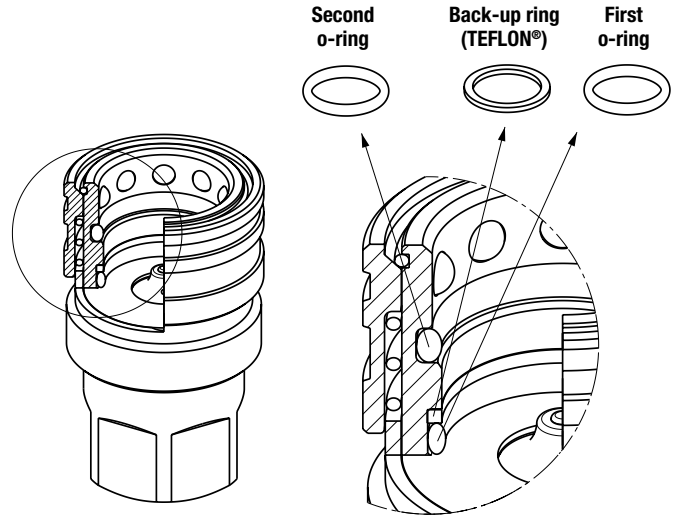
BODY SIZE	Descriptive Code	Item Code	PORT (A)	Overall Length	Length		Hex		Diameter		Diameter		Weight							
					mm	in	mm	in	mm	in	mm	in	kg	lb						
1/4"	F IRC14X BSP	Female 808900100	1/4"	G	81,7	3,22	F	61,6	2,36	C	24,0	0,83	I	23,0	0,83	E	26,0	1,02	0,15	0,32
	M IRC14X BSP	Male 808900101					D	38,0	1,90	B	22,0	0,75	H	24,5	0,83	J	12,0	0,47	0,05	0,11
3/8"	F IRC38X BSP	Female 808900102	3/8"	G	76,4	3,01	F	67,6	2,43	C	30,0	0,94	I	26,0	1,02	E	35,0	1,38	0,22	0,48
	M IRC38X BSP	Male 808900103					D	42,5	1,50	B	27,0	0,87	H	24,0	0,94	J	19,9	0,78	0,06	0,12
1/2"	F IRC12X BSP	Female 808900104	1/2"	G	85,2	3,35	F	76,2	2,66	C	38,0	1,18	I	33,0	1,30	E	41,0	1,61	0,33	0,72
	M IRC12X BSP	Male 808900105					D	47,0	1,67	B	36,0	1,06	H	29,0	1,14	J	24,7	0,97	0,10	0,21
3/4"	F IRC34X BSP	Female 808900106	3/4"	G	94,6	3,72	F	92,0	3,00	C	45,0	1,50	I	41,6	1,64	E	52,0	2,05	0,58	1,27
	M IRC34X BSP	Male 808900107					D	56,5	1,85	B	45,0	1,42	H	39,0	1,54	J	32,7	1,29	0,19	0,41
1"	F IRC100X BSP	Female 808900108	1"	G	113,4	4,46	F	92,0	3,62	C	45,0	1,77	I	48,0	1,89	E	62,0	2,44	0,97	2,14
	M IRC100X BSP	Male 808900109					D	56,5	2,22	B	45,0	1,77	H	48,0	1,89	J	40,9	1,61	0,35	0,77



SPARE PARTS: SEAL KIT FOR FEMALE

Repair kit / OR+BK			
Body Size	NBR	Description	Part Number
1/4"	F	IRC14X	815700978
3/8"	F	IRC38X	815700980
1/2"	F	IRC12X	815700982
3/4"	F	IRC34X	815700984
1"	F	IRC100X	815700986

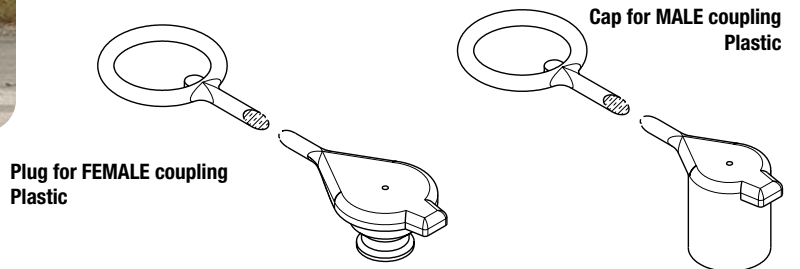
BackUp ring in Teflon®



PROTECTIVE CAPS FOR IRC SERIES

Protective caps are always recommended to protect the couplings from damage, dirt inclusion, and will increase the product life. This is particularly important in mobile applications where exposure to weather and aggregate materials are common.

The protective caps for IRC couplings are manufactured in plastic with connection lanyard.



Body Size/Description		Protective Cap		Material/Color
		Plug for Female	Cap for Male	
1/4"	IRC14	815000042	815000043	Plastic/Red
3/8"	IRC38	815000044	815000045	Plastic/Red
1/2"	IRC12	815000046	815000047	Plastic/Red
3/4"	IRC34	815000048	815000049	Plastic/Red
1"	IRC100	815000050	815000051	Plastic/Red

Other colours available upon request.