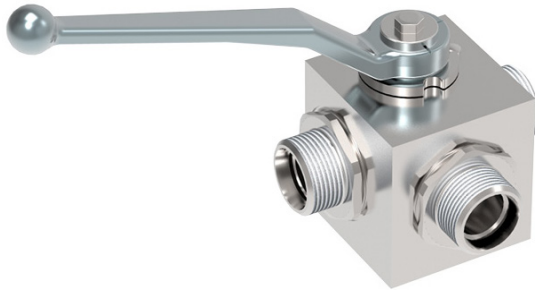


FE3.SS SERIES

STAINLESS STEEL THREE-WAY BALL VALVE



FE3 with integrated 3rd adapter

STAINLESS STEEL FE3

The sealing function of 3-way ball valves is only given when the pressure standing on the closed port is zero or if the pressure between the connected ports is higher than the pressure on the closed port. No shut-off position for third port is possible! To apply pressure from all ports, a special variant is required.

Connector:

compression fitting light and heavy series, BSP thread, NPT thread, Thread connection

Dimensions:

body: stainless steel (1.4571/316Ti)

ball + stem: stainless steel (1.4571/316Ti)

sealing: plastics

Adapter:

BSP thread, NPT thread, compression fitting light and heavy series

Pressure range:

up to PN400 (note table of dimensions)

Field of application:

chemical and petrochemical industry, environmental installations, offshore, water (Material of seals and body adapted to application!)

Temperature range:

standard: -20°C to +80°C (-4 to +176°F)

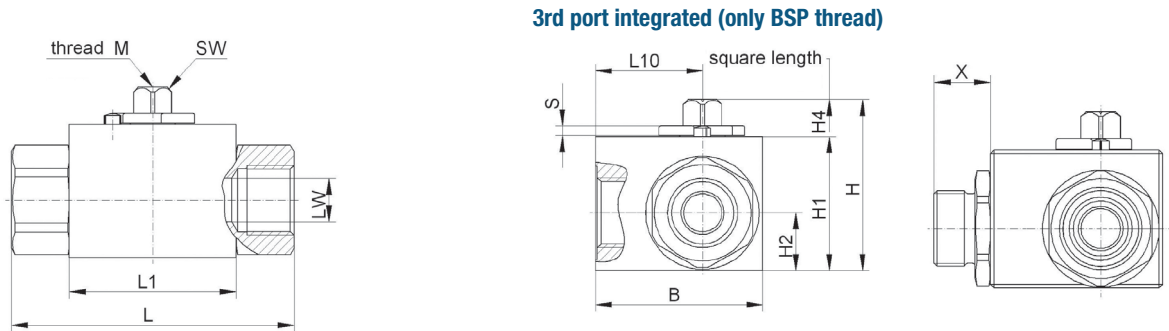
Surface:

uncoated

Special equipment on request!

- locking device
- position switches
- combinations
- special materials




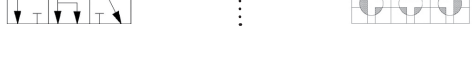
BODY DIMENSIONS WITHOUT COVER



3rd port integrated (only BSP thread)

DN	LW	PN ¹⁾	L1	L10	B	H	H1	H2	H4	SW	M	S
mm	mm	bar	mm	mm	mm	mm	mm	mm	mm	mm		mm
4	Ø 5	400	35	26	40	46,5	35	16	10,9	9	M5	3
6	Ø 6	400	35	26	40	46,5	35	16	10,9	9	M5	3
8	Ø 8	400	35	26	40	46,6	35	16	10,9	9	M5	3
10	Ø 10	400	42	28	45	51,5	40	18	10,9	9	M5	3
13	Ø 13	400	47	32	50	56	40	17	10,9	9	M5	3
20	Ø 20	320	61	40,5	65	73,5	65	24,5	16	14	M6	4
25	Ø 24	350	63	51	80	81,5	65	30	16	14	M6	4
32	Ø 32	350	78	62	100	99	80	38	18,5	17	M8	5
40	Ø 38	250	85	65	105	109	90	42	18,5	17	M8	5
50	Ø 47,5	250	100	72	120	139	120	62	18,5	17	M8	5

- 1) For PN max. and tightening torque see data of the compression fitting manufacturer.
- Other face to face dimensions on request.
- Reduced press. rating must be taken into consideration acc. to application and materials.
- Dimensions subject to change without notice.

Order No.	Design	Operation (Overlap)	Operation symbols
L	L-bore	0° - 90° (negativ)	
P ^{1),2)}	L-positive-bore	0° - 90° - 180° (positiv)	
T	T-bore	0° - 90° (negativ)	
T180° ²⁾	T-bore	0° - 90° - 180° (negativ)	

- 1) In middle position (90°) only pressurizing of third port possible.
- 2) For middle position detent kit recommended.

FE3-stainless-steel ball valves are normally outlet sealed. This means, the closed side is only sealed when there is no or less pressure than at the inlet port. A bi-directional sealing system is available on request. With this system the closed port is still sealed even if there is a higher pressure than at the inlet port. Both types can only be used with the middle port as entry! Please note the bi-directional sealing system with your order (e.g. LA, PA, TA or TA180°)! The bi-directional sealing system can be damaged by pulsating pressure!

Order Example

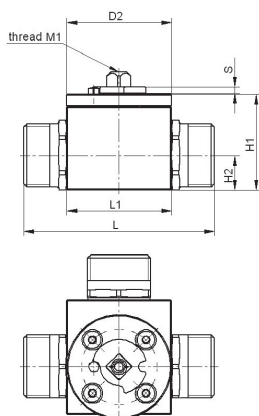
Series	Connection ²⁾	Normal Size	Porting diagram	Material ³⁾	Equipment/Specials/Mounting see category equipment
FE3	N	1/2	L	SS	

- 2) Port connections can be mixed in any combination
- 3) We would be glad helping you to choose proper material and equipment.

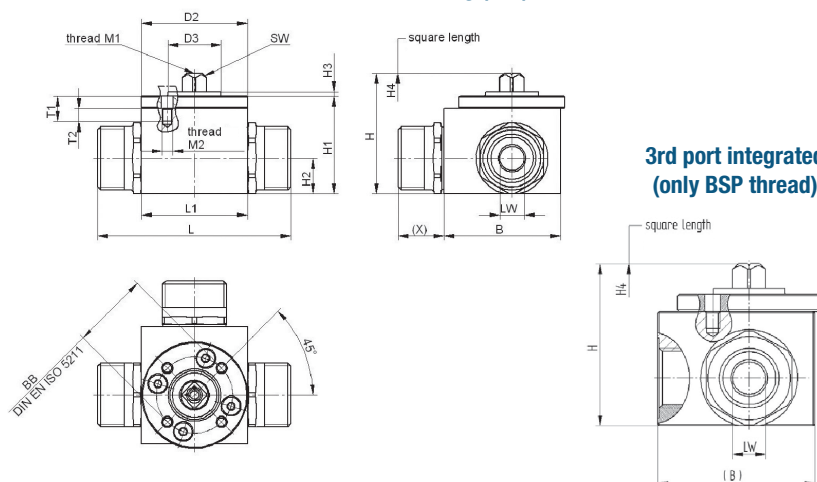
Please send your request to: info@stucchiaustralia.com
Please tell us pressure, temperature and medium of your application!

BODY DIMENSIONS WITH COVER

Cover for handle mounting (DfG)



Cover for actuator mounting (DfA)



Stainless steel three-way diverter ball valve

DN ²	LW	PN ¹⁾	L1	B ²⁾	H	H1	H2	H4	SW	M1	D2	T1	T2	M2	BB	D3	H3	
mm	mm	bar	mm	mm	mm	mm	mm	mm	mm		mm	mm	mm		ISO	mm	mm	
10	Ø 8	350	45	51	61,7	51	22,7	10,3	9	M5	Ø 50	12	6	M5	F03	Ø 36	Ø 25	2
13	Ø 11,5	350	50	55	56,7	46	16,7	10,3	9	M5	Ø 50	12	6	M5	F03	Ø 36	Ø 25	2
20	Ø 20	320	62,2	65	89,8	75,3	32,5	15,5	14	M6	Ø 55	17,3	7	M5	F04	Ø 42	Ø 30	2
25	Ø 24	350	65	80	92,8	75,3	30,2	15,5	14	M6	Ø 55	17,3	7	M5	F04	Ø 42	Ø 30	2
32	Ø 32	350	84	100	123,6	102,6	43,8	18,5	17	M8	Ø 64,5	20,6	8	M6	F05	Ø 50	Ø 35	2
40	Ø 38	250	87	105	131,6	110,6	47,3	18,5	17	M8	Ø 64,5	20,6	8	M6	F05	Ø 50	Ø 35	2
50	Ø 47,5	250	102	120	152,6	132,1s	60,8	18,5	17	M8	Ø 64,5	20,6	8	M6	F05	Ø 50	Ø 35	2

¹⁾ For PN max. and tightening torque see data of the compression fitting manufacturer.

²⁾ • Dimensions differ for bodies with integrated third port.

- Other face to face dimensions on request.
- Reduced press. rating must be taken into consideration acc. to application and materials.
- Dimensions subject to change without notice.

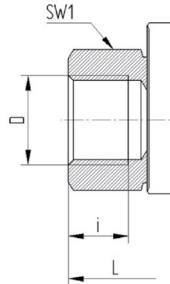
Order Example

Series	Connection	Normal Size	Porting diagram	Material	Equipment/Specials/Mounting see category equipment
FE3	N	1/2	LA	SS	DfG for handle mounting
FE3	N	1/2	LA	SS	DfA for actuator mounting

SCREW SOCKETS FOR STAINLESS STEEL FE3

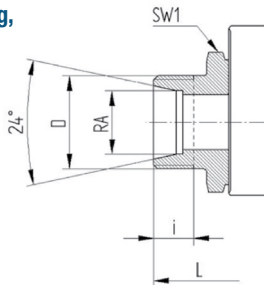
Connection

BSP female thread
DIN/ISO 228
Connection Type: G



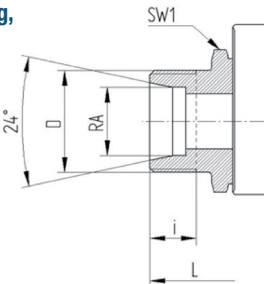
DN	LW	ScREW size order code	ScREW size for DIN2353	L	X	i	SW1
mm	mm		mm	mm		mm	mm
4	Ø 5	G 1/8 ¹⁾	-	69	-	8	22
6	Ø 6	G 1/4 ¹⁾	-	69	-	12	22
8	Ø 7	G 3/8 ¹⁾	-	69	-	12	22
10	Ø 9	G 3/8 ¹⁾	-	73	-	12	27
13	Ø 11,5	G 1/2 ¹⁾	-	85	-	14	30
20	Ø 18	G 3/4 ¹⁾	-	96	-	16	41
25	Ø 22	G 1 ¹⁾	-	113	-	18	46
25	Ø 22	G 1 ¹⁾	-	121	-	20	50
25	Ø 22	G 1 ¹⁾	-	124	-	22	55
32	Ø 30	G 1 1/4 ¹⁾	-	110	-	20	60
40	Ø 35	G 1 1/2 ¹⁾	-	120	-	22	70
50	Ø 44	G 2 ¹⁾	-	140	-	24	85

For compression fitting, light series
DIN 2353 L
Connection Type: L



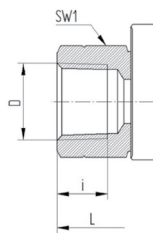
4	Ø 5	6L	M 12x1,5	67	15,5	7,5	22
6	Ø 6	8L	M 14x1,5	67	15,5	7,5	22
8	Ø 7	10L	M 16x1,5	71	16,5	8,5	22
10	Ø 9	12L	M 18x1,5	75	16,5	8,5	27
13	Ø 11,5	15L	M 22x1,5	84	18	9,5	30
20	Ø 18	22L	M 30x2	102	20	12	41
25	Ø 22	28L	M 36x2	108	21	12	46
32	Ø 30	35L	M 45x2	128	24	13,5	60
40	Ø 35	42L	M 52x2	133	24	13,5	70

For compression fitting, heavy series
DIN 2353 S
Connection Type: S



4	Ø 5	6S	M 14x1,5	71,5	18,5	9,5	22
4	Ø 5	8S	M 16x1,5	73	18,5	9,5	22
6	Ø 6	10S	M 18x1,5	73	18,5	9,5	22
8	Ø 7	12S	M 20x1,5	77	20	9,5	22
10	Ø 9	14S	M 22x1,5	84	20,5	11,5	27
13	Ø 11,5	16S	M 24x1,5	87	19,5	11,5	30
20	Ø 18	25S	M 36x2	110	24	15	41
25	Ø 22	30S	M 42x2	120	27	17	46
32	Ø 30	38S	M 52x2	140	30	19	50

NPT female thread
ANSI B 1.20.1
Connection Type: N



4	Ø 5	1/8 NPT	-	69	16,5	8	22
6	Ø 6	1/4 NPT	-	69	16,5	11,5	22
10	Ø 9	3/8 NPT	-	73	15,5	12	27
13	Ø 11,5	1/2 NPT	-	92	19	15,5	30
20	Ø 18	3/4 NPT	-	97	17,3	16	41
25	Ø 22	1 NPT	-	113	20	19	46
25	Ø 22	1 NPT	-	131	20	19,5	50
25	Ø 22	1 NPT	-	139	22,5	19,5	55
32	Ø 30	1 1/4 NPT	-	115	20	19,5	60
40	Ø 35	1 1/2 NPT	-	138	22,5	19,5	70
50	Ø 40	2 NPT	-	140	25	20	85

¹⁾ • 3rd port integrated.

• Special connections with imperial male thread, metric female or male threads, as well as bulkhead connections on request!