

Colour Coding



In industries where hydraulic circuits are used, multiple lines often need to be simultaneously managed, with the risk of accidentally connecting two different lines, subsequently placing the safety of operators and the integrity of the machinery in danger.

The problem of correct connection between lines can be solved with a simple, yet efficient solution: Colour Coding.

Using special supports in different colours, the male and female of each line can be uniquely identified, thus allowing their rapid and completely safe coupling: thanks to Colour Coding, a glance is literally all it takes.

Colour Coding solutions simplifies connection operations between multiple lines in situations where it's not possible to use multicouplings and operations therefore need to be carried out manually.

Stucchi offers various Colour Coding solutions:



SUREGRIP



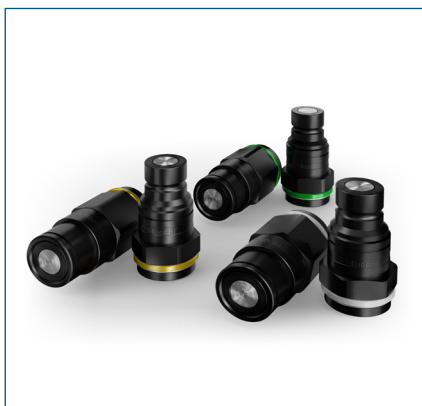
PVC STICKERS



ELASTIC RINGS



ALUMINIUM RINGS TO IDENTIFY THE FUNCTION



ALUMINIUM RINGS TO IDENTIFY THE USE

SUREGRIP



Sealing description
NBR



Available sizes
1/2"



Operating pressure
250 bar



Available threads
BSP



Material
Aluminium



Temperature
-20°C / +100°C

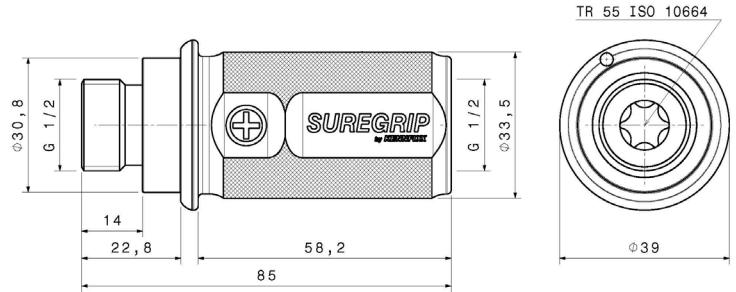


A coloured aluminium extra grip to help identify lines and increase the ease of handling during connection and disconnection phases.

- Non-slip marking grips easily mounted into the hydraulic line positioned between the hose and the coupling
- Simple identification: simplifies when connecting multiple lines.
- Durable hydraulic grip in anodized aluminium.
- The knurled finish provides a wider, non-slip surface to help during connection/disconnection
- 5 colours available.
- BSP (male/female) thread.
- Available also in kit with Stucchi I12GS L15 male quick coupling, cap included.
- Parking station with 4 magnetic spots available.



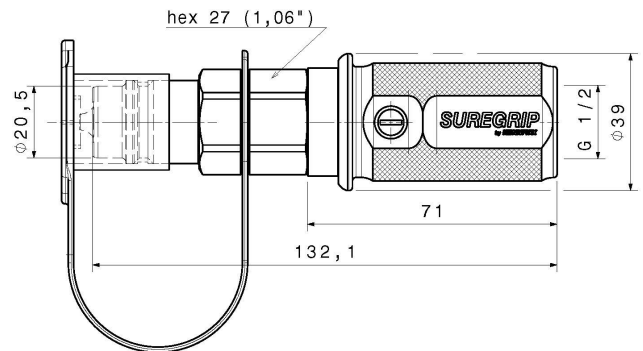
SUREGRIP



Weight: 0,127 kg – 0,280 lb

Item code	Product name
820900001	SUREGRIP 12 BSP PLUS - 12 BSP EXT BLUE
820900002	SUREGRIP 12 BSP MINUS - 12 BSP EXT BLUE
820900003	SUREGRIP 12 BSP PLUS - 12 BSP EXT YELLOW
820900004	SUREGRIP 12 BSP MINUS - 12 BSP EXT YELLOW
820900005	SUREGRIP 12 BSP PLUS - 12 BSP EXT RED
820900006	SUREGRIP 12 BSP MINUS - 12 BSP EXT RED
820900007	SUREGRIP 12 BSP PLUS - 12 BSP EXT GREEN
820900008	SUREGRIP 12 BSP MINUS - 12 BSP EXT GREEN
820900009	SUREGRIP 12 BSP PLUS - 12 BSP EXT BLACK
820900010	SUREGRIP 12 BSP MINUS - 12 BSP EXT BLACK

Tightening torque: 90 Nm / 66,38 lbf ft



Weight: 0,274 kg – 0,604 lb

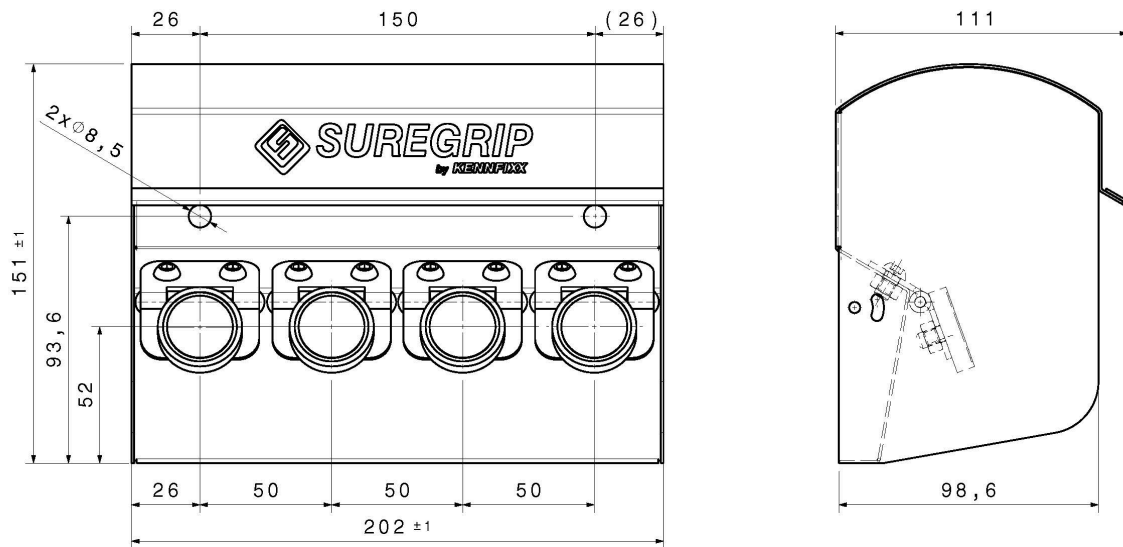
Item code	Product name
820900011	SUREGRIP 12 BSP BLUE PLUS + CAP + M I12GS L15
820900012	SUREGRIP 12 BSP BLUE MINUS + CAP + M I12GS L15
820900013	SUREGRIP 12 BSP YELLOW PLUS + CAP + M I12GS L15
820900014	SUREGRIP 12 BSP YELLOW MINUS + CAP + M I12GS L15
820900018	SUREGRIP 12 BSP RED PLUS + CAP + M I12GS L15
820900019	SUREGRIP 12 BSP RED MINUS + CAP + M I12GS L15
820900020	SUREGRIP 12 BSP GREEN PLUS + CAP + M I12GS L15
820900021	SUREGRIP 12 BSP GREEN MINUS + CAP + M I12GS L15
820900022	SUREGRIP 12 BSP BLACK PLUS + CAP + M I12GS L15
820900023	SUREGRIP 12 BSP BLACK MINUS + CAP + M I12GS L15

Tightening torque: 90 Nm / 66,38 lbf ft

Colour Coding



SUREGRIP



Weight: 1,18 kg – 2,601 lb

Item code	Product name
82090024	SUREGRIP 4 PARKING STATION



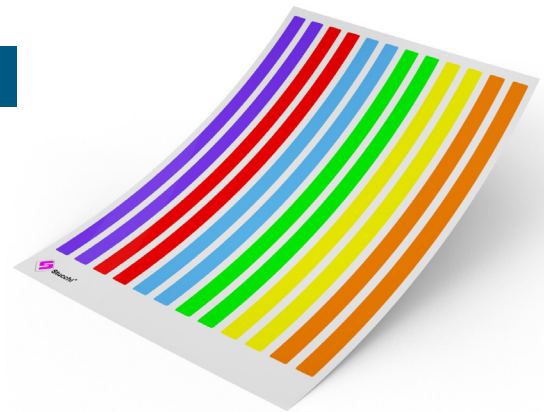
For more information please contact Stucchi Technical Support.

PVC STICKERS

Another solution is the application of special coloured adhesives in resistant PVC, suitable for outdoor use

- Material: PVC
- Colours: a set of stickers, available in 6 different colours
- Dimensions: 185x8 mm for each sticker
- Sizes: the stickers can be fitted on couplings of various series and different sizes
- Applicability: the rings are applicable on existing couplings

Item code	Product name
815504007	STICKER SIX COLORS CODING 185X8



ELASTIC RINGS

Colored elastic silicone rings are placed directly on the couplings, using the same colours for the male and female of each line

- Material: plastic
- Colours: available in 7 different colours
- Dimensions: 7 mm width, 25 mm internal diameter
- Sizes: thanks to its elasticity, the same ring can be fitted on couplings of various series and different sizes (from 30 to 65 mm)
- Applicability: the rings are applicable on existing couplings

Item code	Product name
815701307	SET OF 14 ELASTIC RINGS (2X7 COLORS)
815504000	ELASTIC RING 25X7 RED RAL 3020
815504001	ELASTIC RING 25X7 BLUE RAL 5002
815504002	ELASTIC RING 25X7 GREEN RAL 6002
815504003	ELASTIC RING 25X7 YELLOW RAL 1023
815504004	ELASTIC RING 25X7 ORANGE RAL 2004
815504005	ELASTIC RING 25X7 WHITE RAL 9003
815504006	ELASTIC RING 25X7 BLACK RAL 9005

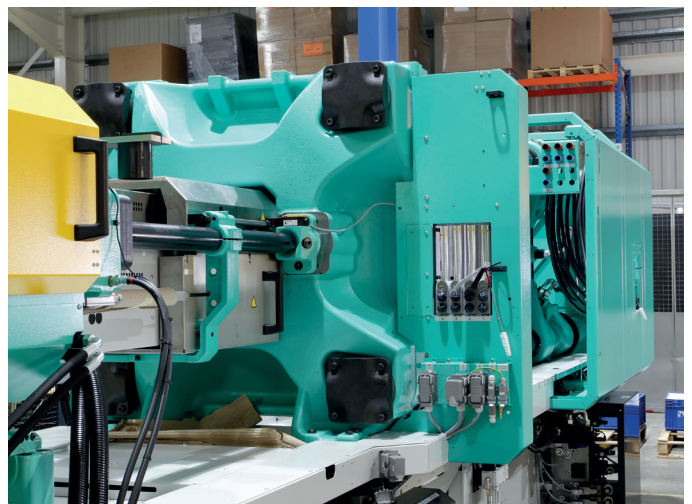


ALUMINIUM RINGS TO IDENTIFY THE FUNCTION



When using different lines, it might be important to differentiate them according to the function. For a more durable and stable solution, Stucchi provides anodized aluminium fix rings. Coloured rings are available in red and blue and are assembled on the couplings according to the manufacturer specifications. Other colours are available upon request. For more information please contact Stucchi Technical Support.

ALUMINIUM RINGS TO IDENTIFY THE USE



When using multiple lines, it might be important to differentiate them according to the sealing used in the couplings and the fluids flowing inside. Stucchi offers a useful solution with anodized aluminum rings in three different colours, yellow, green and grey. Yellow for Viton, green for Nitrile, grey for EPDM; others colours available upon request. The rings are assembled and kept in position thanks to a Seeger ring; this configuration allows to remove the coloured ring, if needed. For more information please contact Stucchi Technical Support.