



FE2 - 2 WAY BALL VALVE

Block-type ball valves for different fields of application like construction machinery, agricultural machinery, mobile hydraulics, mining industry, gas industry. Available in DN 4 to 25 with different connectors. Modifications: with actuator and position switch, as combination, with locking device...

Connector:

Compression fitting light and heavy series, BSP thread, NPT thread, welding end and welding taper, UNC/UNF female thread, bulkhead connection, plug-in socket und plug nipple, thread connection.

Dimensions: DN04 to DN25

Body: S460N, S355

Ball + stem: free cutting steel, stainless steel (1.4571/316Ti)

Sealing: plastics, metal

Adapter:

BSP thread, NPT thread, compression fitting light and heavy series, UNC/UNF female thread, bulkhead connection, welding end and welding taper, plug-in socket and plug nipple

Pressure range:

up to PN500 (note table of dimensions)

Field of application:

hydraulics, particularly in construction industry and agricultural machinery, mining industry and gas industry
(Material of seals and body adapted to application!)

Temperature range:

standard: -20°C to +80°C (-4 to +176°F)

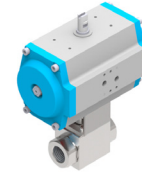
Surface:

black oxide finishing, zinc-layer, zinc nickel

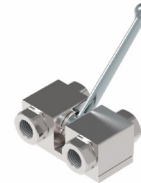
Special equipment on request!

- locking device
- actuators
- base plate
- mounting holes
- combinations
- position switches
- detent kits
- special materials

FE2 with actuator



FE2 combination



FE2 with base plate



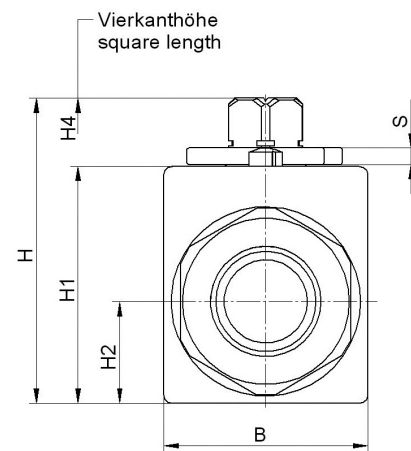
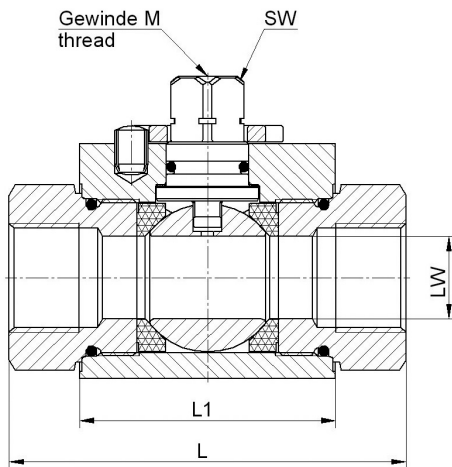
FE2 with locking device and position switch



FE2 with mounting holes



BODY DIMENSIONS



DN	LW	PN ¹⁾	L1	BH		H1	H2	H4	SW	MS	
mm	mm	bar	mm	mm	mm	mm	mm	mm	mm		mm
4	Ø 5	500	36,2	26	43,4	32	12,8	11	9	M5	3
6	Ø 6	500	36,2	26	43,4	32	12,8	11	9	M5	3
8	Ø 8	500	36,2	26	43,4	32	12,8	11	9	M5	3
10	Ø 10	500	43,2	32	49,2	38	16,25	10,9	9	M5	3
13	Ø 13	500	48,2	35	51,2	40	17,25	10,9	9	M5	3
16	Ø 15	500	48,2	38	61,9	46	18,7	15,5	12	M6	3.5
20	Ø 20	400	62,2	49	73,4	57	24,5	16	14	M6	4
25	Ø 24	350	66,2	54	76,6	60	26,5	16	14	M6	4

1)

- For PN max. and tightening torque see data of the compression fitting manufacturer.
- Dimensions apply for S460N and free cutting steel, dimensions of S355J2G3 bodies are different.
- Reduced press. rating must be taken into consideration acc. to application and materials.
- Dimensions subject to change without notice

Order Example

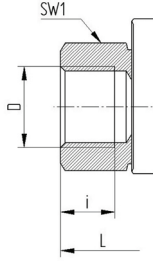
Series	Connection ³⁾	Normal Size	Pressure	Material	Equipment/Specials/Mounting see category equipment
FE2	G	1/2	PN500	CS	BoDg

³⁾ Left and right side connectors can be used in any combination

SCREW SOCKETS FOR FE2

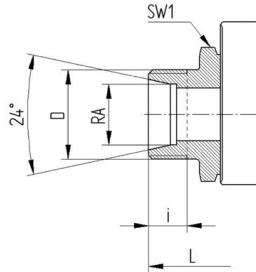
Connection

BSP Female Thread
DIN/ISO 228
Connection Type: G



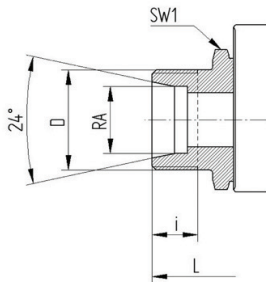
DN	LW	ScREW size order code	ScREW size for DIN2353	L	i	SW1	Weight
mm	mm		mm	mm	mm	mm	kg
4	Ø 5	G 1/8	-	69	8	22	0,35
6	Ø 6	G 1/4	-	69	12	22	0,35
8	Ø 8	G 3/8	-	69	12	22	0,35
10	Ø 10	G 3/8	-	73	12	27	0,5
13	Ø 13	G 1/2	-	85	14	30	0,65
16	Ø 15	G 1/2	-	84	14	32	0,75
20	Ø 20	G 3/4	-	96	16	41	1,5
25	Ø 24	G1	-	113	18	46	2
32	Ø 24	G 1 1/4	-	121	20	50	2,1
40	Ø 24	G 1 1/2	-	124	22	55	2,1

For compression fitting, light series
DIN 2353
Connection Type: L



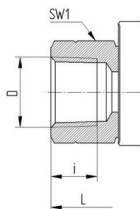
4	Ø 5	6L	M 12x1,5	67	7,5	22	0,3
6	Ø 6	8L	M 14x1,5	67	7,5	22	0,3
8	Ø 8	10L	M 16x1,5	71	8,5	22	0,3
10	Ø 8	12L	M 18x1,5	71	8,5	22	0,3
10	Ø 10	12L	M 18x1,5	75	8,5	27	0,5
13	Ø 10	15L	M 22x1,5	77	9,5	27	0,5
13	Ø 13	15L	M 22x1,5	84	9,5	30	0,6
16	Ø 13	18L	M 26x1,5	84	9,5	30	0,6
16	Ø 13	15L	M 22x1,5	83	9,5	32	0,75
16	Ø 15	18L	M 26x1,5	83	9,5	32	0,75
20	Ø 20	22L	M 30x2	102	12	41	1,5
25	Ø 24	28L	M 36x2	108	12	46	2
32	Ø 24	35L	M 45x2	114	13,5	50	2,1
40	Ø 24	42L	M 52x2	114	13,5	55	2,2

For compression fitting, heavy series
DIN 2353
Connection Type: S



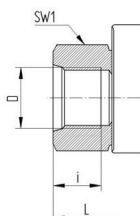
4	Ø 5	6S	M 14x1,5	71,5	9,5	22	0,35
4	Ø 5	8S	M 16x1,5	73	9,5	22	0,35
6	Ø 6	10S	M 18x1,5	73	9,5	22	0,35
8	Ø 8	12S	M 20x1,5	77	9,5	22	0,35
10	Ø 10	14S	M 22x1,5	84	11,5	27	0,5
13	Ø 13	16S	M 24x1,5	87	11,5	30	0,6
16	Ø 13	20S	M 30x2	91	13,5	30	0,65
16	Ø 13	16S	M 24x1,5	87	11,5	32	0,75
16	Ø 15	20S	M 30x2	90	13,5	32	0,75
20	Ø 20	25S	M 36x2	110	15	41	1,5
25	Ø 24	30S	M 42x2	120	17	46	2,1
32	Ø 24	38S	M 52x2	125	19	55	2,3

NPT Female Thread
ANSI B 1. 20.1
Connection Type: N



4	Ø 5	1/8 NPT	-	69	8	22	0,35
6	Ø 6	1/4 NPT	-	69	11,5	22	0,35
10	Ø 10	3/8 NPT	-	73	12	27	0,5
13	Ø 13	1/2 NPT	-	92	15,5	30	0,65
20	Ø 20	3/4 NPT	-	97	16	41	1,5
25	Ø 24	1 NPT	-	113	19	46	2
32	Ø 24	1 1/4 NPT	-	131	19,5	50	2,1
40	Ø 24	1 1/2 NPT	-	139	19,5	55	2,3

UN/UNF Female Thread
SAE J514
Connection Type: SAE

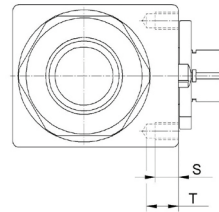
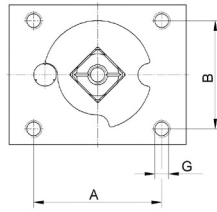


6	Ø 6	7 16-20 UNF-2B	-	69	11,5	22	0,35
10	Ø 10	9 16-18 UNF-2B	-	75	12,7	27	0,5
13	Ø 13	3/4-16 UNF-2B	-	85	14,3	30	0,65
16	Ø 15	7/8-14 UNF-2B	-	84	16,7	32	0,75
20	Ø 20	1 1/8-12 UN-2B	-	96	19	41	1,5
25	Ø 24	1 5/8-12 UN-2B	-	114	19	46	2
32	Ø 24	1 5/8-12 UN-2B	-	122	19	50	2,2
40	Ø 24	1 7/8-12 UN-2B	-	128	19	60	2,4

Special connections with imperial male thread, metric femal or male threads, as well as bulkhead connections on request

MOUNTING HOLES FOR FE2

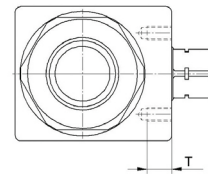
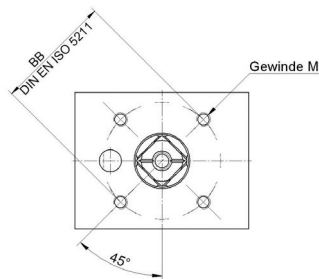
DN	A	B	G	S	T
mm	mm	mm		mm	mm
10	34	24	M6	8	11
13	34	24	M6	8	11
16	34	24	M6	8	11
20	45	38	M6	8	11
25	45	38	M6	8	11



BoSte:

Panel Mounting

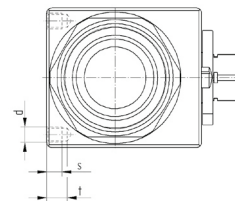
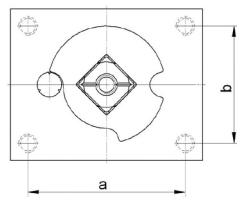
DN	BB	ISO	M	T
mm	mm			mm
10	∅ 36	F03	M5	7,5
13	∅ 36	F03	M5	7,5
16	∅ 36	F03	M5	7,5
20	∅ 42	F04	M5	9
25	∅ 42	F04	M5	9



BofA:

tapped holes for actuator ISO 5211

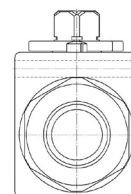
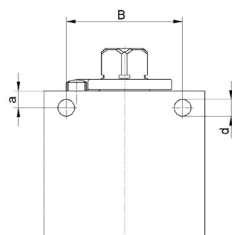
DN	a	b	d	t	s
mm	mm	mm	mm	mm	mm
4-8*	24	20	M6	-	6
10	34	24	M5	7,5	6,5
13	38	27	M6	7	6,5
16	38	27	M6	7	7
20	51	39	M6	11	8
25	52	44	M6	8	6



Bo4Bo:

tapped holes at bottom

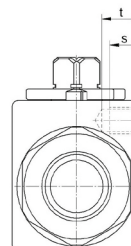
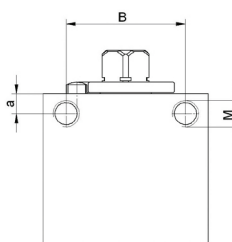
DN	B	a	d
mm	mm	mm	mm
4-8	26	5	∅ 4,5
10	32	5	∅ 6,5
13	37,5	4,8	∅ 6,5
16	37,5	5	∅ 6,5
20	45	6,5	∅ 6,5
25	55	6	∅ 6,7



DoDg:

through-bore holes on the side

DN	a	b	d	t	s
mm	mm	mm	mm	mm	mm
4-8	24	6	M6	6,5	9
10	32	5,5	M6	7	10
13	36	6	M6	8,5	11
16	32	8	M6	7	10,5
20	45	7,5	M10	12	15
25	45	7,5	M10	12	15



BoGb:

tapped holes on the side

Ball valves with mounting plate or as combination, see chapter special types.

Please discuss your demand with us! We are happy to help you finding the correct hole pattern and size for your application!

You can reach us by email: info@stucchiaustralia.com

BASE PLATES

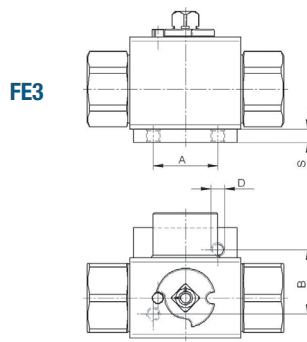
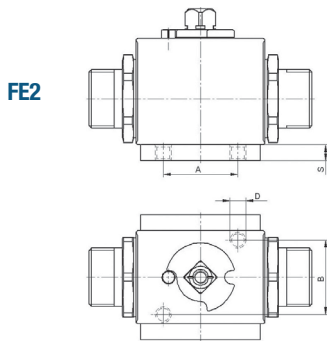


FE2 with BP4



FE3 with BP4

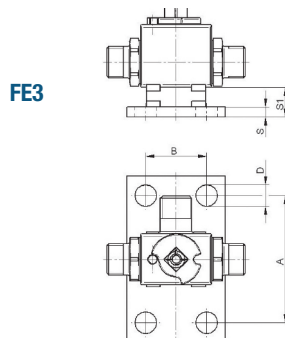
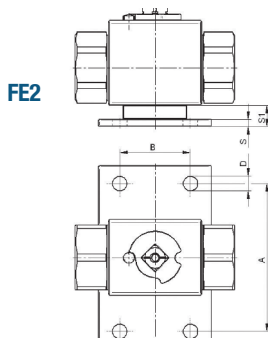
Version BP2 (2 mounting holes)



DN	A	B	D	S
mm	mm	mm		mm
4-8	25	25	M6	6
10	28	28	M6	6
13	28	28	M6	6
20	29	51	M6	6
25	29	51	M6	6

Dimensions subject to change without notice.

Version BP4 (4 mounting holes)



DN	A	B	D	S1	S1
mm	mm	mm	mm	mm	mm
4-8	65	31	∅ 11	5	15
10	65	31	∅ 11	5	15
13	65	31	∅ 11	5	15
20	105	50	∅ 10,5	5	15
25	105	50	∅ 10,5	5	15

Dimensions subject to change without notice.

Base plates for ball valves designs not listed here or with special hole pattern design on request.
Please send your request to: info@stucchiaustralia.com
Please tell us pressure, temperature and medium of your application!

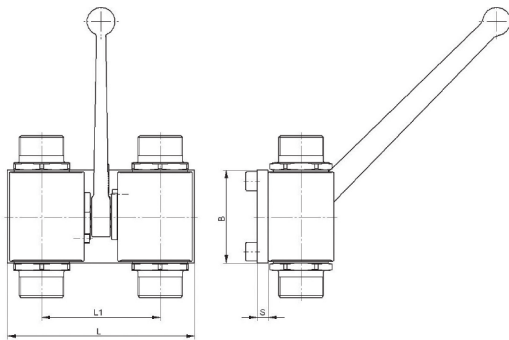
SERIAL COMBINATIONS



FE2 combination

Serial combinations consist of two separately connected ball valves simultaneously switchable with a single handle or actuator. Nearly every ball valve in this catalogue is also available as combination. The most common combinations are specified below.

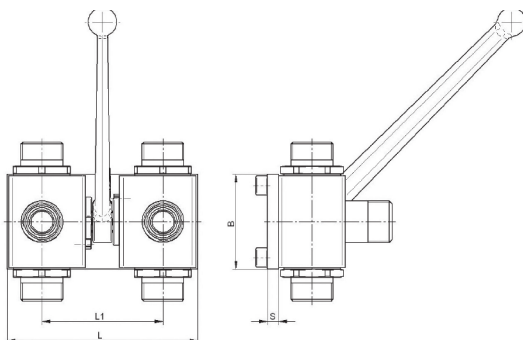
FE2 combination



DN	L	L1	B	S
mm	mm	mm	bar	mm
4-8	85	59	35	6
10	95	63	40	6
13	100	65	45	6
16	126	88	45	8
20	135	86	60	10
25	173	120	65	10

Dimensions subject to change without notice.

FE3 combination



DN	L	L1	B	S
mm	mm	mm	bar	mm
4-8	85	59	35	6
10	95	63	40	6
13	100	65	45	6
16	126	88	45	8
20	135	86	60	10
25	173	120	65	10

Dimensions subject to change without notice.

Base plates for ball valves designs not listed here or with special hole pattern design on request.
 Please send your request to: info@stucchiaustralia.com
 Please tell us pressure, temperature and medium of your application!