

ASERIES

INTERCHANGE > ISO 16028 - NFPA T3.20.15 - HTMA (size 3/8")



TECHNICAL FEATURES AND OPTIONS

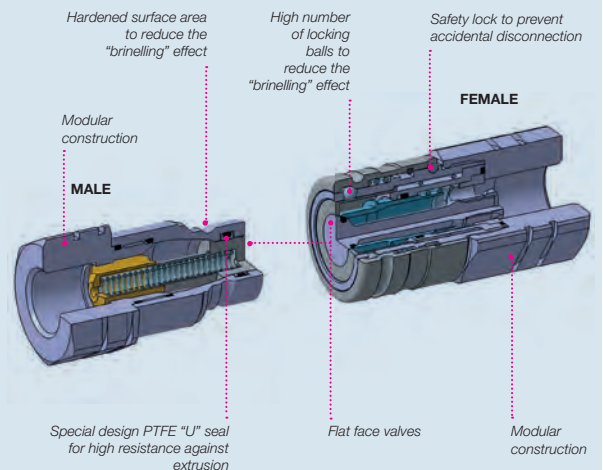
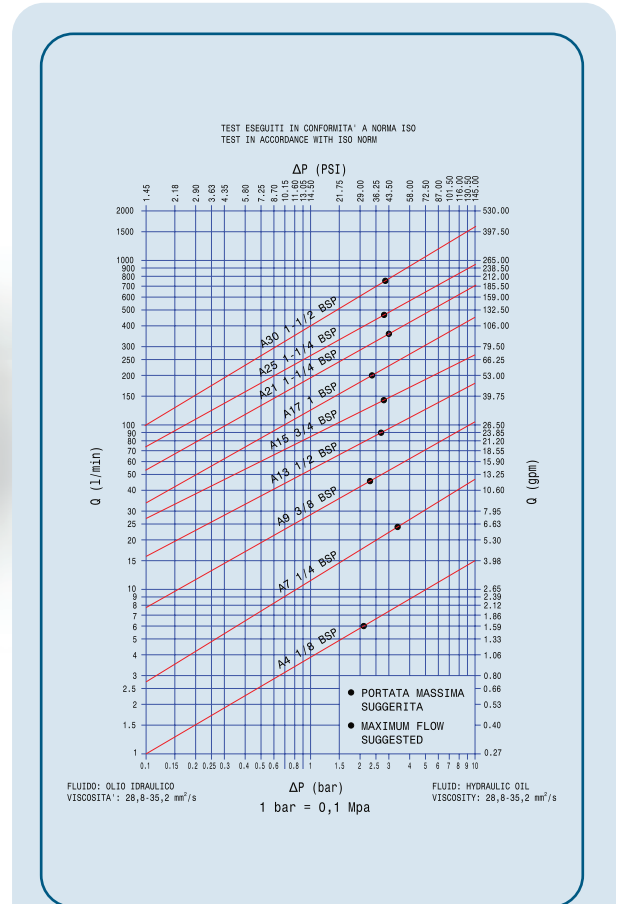
Interchange ISO 16028 NFPA T3.20.15 HTMA (size 3/8")	Sealing description Nitrile NBR	Connection system Push
Available sizes from 1/8" to 1-1/2"	Material/treatment Carbon steel/ Cr3 (Zn-Ni version available)	Available threads BSP - NPT - SAE ORFS - METRIC - JIC
Operating pressure Up to 420 bar	Locking mechanism Locking ball + Safety Lock	Flow rate Up to 750 l/min
Temperature (°C) -20°C / +100°C	Valving style Flat face	Connection under pressure Connection: not allowed Disconnection: not allowed

BENEFITS

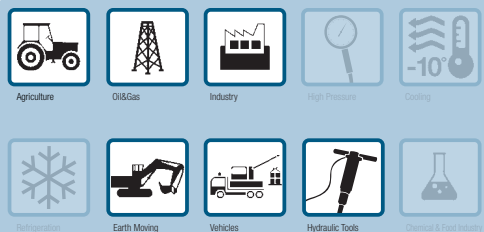
- Flat face is easy to clean, reducing the inclusion of contamination inside the hydraulic circuit.
- Minimal fluid spillage during disconnection, reducing fluid spillage to the environment.
- Minimal air inclusion during connection.
- Internal valve design creates minimal pressure drop, maintaining circuit efficiency in the system
- The modular design allows flexibility with a wide range of configurations.
- Good resistance to pressure impulses.
- Compact slim design.
- Safe and simple to use.

HOW TO USE

- Before to connect, clean the mating surface of the couplings to avoid dirt inclusion in the circuit.
- To connect push the male half towards the female half or vice versa.
- After connection turn the external sleeve to engage safety lock function, to prevent accidental disconnection.
- To disconnect turn the external sleeve until the sleeve lock notch match the safety lock ball and push back the sleeve.



MAIN APPLICATIONS



FLAT FACE

FLAT FACE SCREW

CASTING

POPPET SCREW

POPPET

HIGH PRESSURE

CHECK VALVE

BOP PRODUCTS

MULTICOUPLINGS

PERFORMANCES

Size		Series/Size	Max. flow suggested		Connect force		Disconnect force		Spillage*
in	mm (ISO)		l/min	gpm	N	lbf	N	lbf	ml
1/8	-	A4	6	1,59	120	27,00	25	5,63	-
1/4	6,3	A7	24	6,36	150	33,75	45	10,13	0,01
3/8	10,0	A9	46	12,19	170	38,25	40	9,00	0,01
1/2	12,5	A13	90	23,85	190	42,75	50	11,25	0,02
5/8	16,0	A15	148	39,22	190	42,75	55	12,38	0,02
3/4	19,0	A17	200	53,00	220	49,50	70	15,75	0,03
1	25,0	A21	378	100,17	250	56,25	75	16,88	0,03
1-1/4	31,5	A25	450	119,25	350	78,75	90	20,25	0,05
1-1/2	38,0	A30	750	198,75	390	87,75	70	15,75	0,05

Size	Series/Size	Max. operating pressure						Burst pressure					
		Coupled		Male		Female		Coupled		Male		Female	
in		MPa	psi	MPa	psi	MPa	psi	MPa	psi	MPa	psi	MPa	psi
1/8	A4	42	6090	42	6090	42	6090	126	18270	126	18270	126	18270
1/4	A7	42	6090	42	6090	42	6090	126	18270	126	18270	126	18270
3/8	A9	35	5075	35	5075	35	5075	100	14500	100	14500	100	14500
1/2	A13	33	4785	33	4785	33	4785	100	14500	100	14500	100	14500
5/8	A15	33	4785	33	4785	33	4785	100	14500	100	14500	100	14500
3/4	A17	33	4785	33	4785	33	4785	100	14500	100	14500	100	14500
1	A21	30	4350	30	4350	30	4350	80	11600	80	11600	80	11600
1-1/4	A25	30	4350	30	4350	30	4350	80	11600	80	11600	80	11600
1-1/2	A30	27	3915	27	3915	27	3915	80	11600	80	11600	70	10150

* Spillage is an indicative value of the fluid loss during disconnection (according to ISO norm test method).

Different possible configurations:
Different threads available upon request.

Temperature range:

Standard seals NBR (Nitrile): from -20 °C to +100 °C (from -4 °F to +212 °F).
Upon request seals in FKM (VITON®): from -15°C to +180°C (from +5 °F to +356 °F).

Please read carefully Instructions and warnings for proper selection of the products.

Tests:

Qualification tests have been performed with hydraulic oil using couplings with NBR (Nitrile) seals.

The max. operating pressure have been verified for 100.000 impulses according to ISO norm test method.

! WARNING

A defect, a wrong choice or an improper use of products, can cause injury to persons, animals and objects.

Never connect or disconnect with dynamic pressure (e.g. pump on).

Do not use the female coupling disconnected with high impulse pressure.

Do not couple-uncouple with flow and/or pressure in the circuit.

Do not couple-uncouple when the temperature inside of the circuit is higher than 80 °C (176 °F).

Check the maximum allowable working pressure of the port in use.

Make sure that the medium used is compatible with seal and material as indicated for each series.

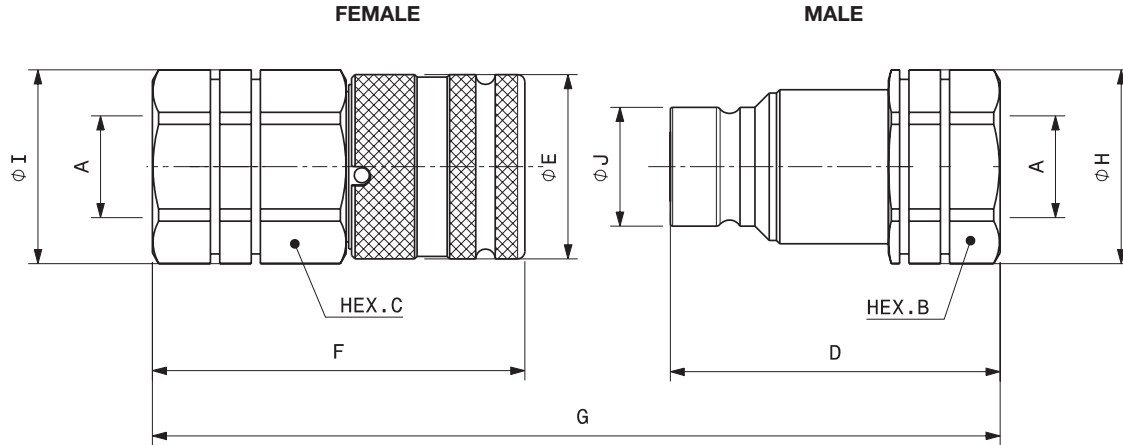
In case of doubt please contact Stucchi Technical Support.

The interchangeability is mentioned under the assumption that the manufacturer of the considered products has not changed any dimension.

It is mandatory to carefully read and closely follow the instructions before selecting or using any Stucchi products.

Always refer to the version uploaded in the Instructions and warning section of stucchigroup.com website for the latest release.

For specific, product-related, instructions, please contact Stucchi technical service.

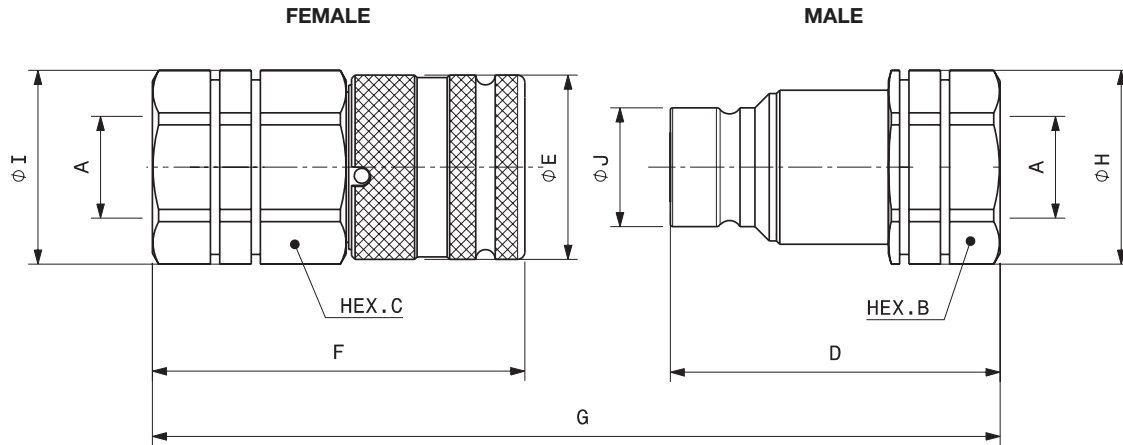


Port description: FEMALE THREAD BSPP (ISO 1179-1)

BODY SIZE	Descriptive Code	Item Code	A NEW	ISO DN	PORT (A)	Overall Length		Length		Hex		Diameter		Diameter		Weight						
						mm	in	mm	in	mm	in	mm	in	mm	in	kg	lb					
1/8"	F A4 1/8 BSP	Female 801300002		-	1/8"	G	68,4	2,69	F	40,0	1,57	C	19,0	0,75	I	20,5	0,81	E	20,0	0,79	0,07	0,16
	M A4 1/8 BSP	Male 801300003							D	36,3	1,43	B	17,0	0,67	H	18,5	0,73	J	11,6	0,46	0,04	0,08
1/4"	F A7 1/4 BSP	Female 801300004		6,3	1/4"	G	90,2	3,55	F	53,1	2,09	C	27,0	1,06	I	29,0	1,14	E	28,0	1,10	0,19	0,41
	M A7 1/4 BSP	Male 801300031							D	47,9	1,89	B	22,0	0,87	H	23,8	0,94	J	16,1	0,63	0,09	0,19
3/8"	F A9 3/8 BSP	Female 801300006		10	3/8"	G	108,8	4,28	F	64,8	2,55	C	30,0	1,18	I	32,0	1,26	E	32,0	1,26	0,27	0,60
	M A9 3/8 BSP	Male 801300005							D	60,0	2,36	B	27,0	1,06	H	29,0	1,14	J	19,7	0,78	0,15	0,32
3/8"	F A9 1/2 BSP	Female 801300008		10	1/2"	G	116,3	4,58	F	69,8	2,75	C	30,0	1,18	I	32,0	1,26	E	32,0	1,26	0,28	0,61
	M A9 1/2 BSP	Male 801300007							D	62,5	2,46	B	27,0	1,06	H	29,0	1,14	J	19,7	0,78	0,14	0,30
1/2"	F A13 1/2 BSP	Female 801300014		12,5	1/2"	G	127,5	5,02	F	76,8	3,02	C	36,0	1,42	I	40,0	1,57	E	38,0	1,50	0,45	1,00
	M A13 1/2 BSP	Male 801300013							D	68,0	2,68	B	36,0	1,42	H	40,0	1,57	J	24,5	0,96	0,24	0,52
1/2"	F A13 3/4 BSP	Female 801300016		12,5	3/4"	G	137,0	5,39	F	83,8	3,30	C	36,0	1,42	I	40,0	1,57	E	38,0	1,50	0,46	1,02
	M A13 3/4 BSP	Male 801300015							D	70,5	2,78	B	36,0	1,42	H	40,0	1,57	J	24,5	0,96	0,27	0,60
5/8"	F A15 3/4 BSP	Female 801300022		16	3/4"	G	139,4	5,49	F	84,0	3,31	C	41,0	1,61	I	44,8	1,76	E	42,0	1,65	0,63	1,38
	M A15 3/4 BSP	Male 801300021							D	73,0	2,87	B	36,0	1,42	H	38,5	1,52	J	27,0	1,06	0,30	0,66
5/8"	F A15 1 BSP	Female 801300034		16	1"	G	145,4	5,72	F	87,0	3,43	C	41,0	1,61	I	44,8	1,76	E	42,0	1,65	0,60	1,32
	M A15 1 BSP	Male 801300035							D	76,0	2,99	B	41,0	1,61	H	44,8	1,76	J	27,0	1,06	0,33	0,73
3/4"	F A17 3/4 BSP	Female 801300040	812500040	19	3/4"	G	158,5	6,24	F	96,8	3,81	C	46,0	1,81	I	49,8	1,96	E	48,0	1,89	0,97	2,14
	M A17 3/4 BSP	Male 801300041	812500041						D	83,7	3,30	B	46,0	1,81	H	49,8	1,96	J	30,0	1,18	0,53	1,16
3/4"	F A17 1 BSP	Female 801300000	812500006	19	1"	G	160,5	6,32	F	98,8	3,89	C	46,0	1,81	I	49,8	1,96	E	48,0	1,89	0,94	2,07
	M A17 1 BSP	Male 801300001	812500007						D	83,7	3,30	B	46,0	1,81	H	49,8	1,96	J	30,0	1,18	0,48	1,05
1"	F A21 3/4 BSP	Female 801300048	812500048	25	3/4"	G	178,0	7,01	F	102,8	4,05	C	55,0	2,17	I	59,8	2,35	E	55,0	2,17	1,44	3,16
	M A21 3/4 BSP	Male 801300049	812500049						D	98,2	3,87	B	55,0	2,17	H	59,8	2,35	J	36,0	1,42	0,97	2,14
1"	F A21 1 BSP	Female 801300050	812500050	25	1"	G	178,6	7,03	F	104,8	4,13	C	55,0	2,17	I	59,8	2,35	E	55,0	2,17	1,42	3,12
	M A21 1 BSP	Male 801300051	812500051						D	96,8	3,81	B	55,0	2,17	H	59,8	2,35	J	36,0	1,42	0,89	1,96
1"	F A21 1-1/4 BSP	Female 801300024	812500008	25	1 1/4"	G	172,8	6,80	F	105,8	4,17	C	55,0	2,17	I	59,8	2,35	E	55,0	2,17	1,31	2,89
	M A21 1-1/4 BSP	Male 801300023	812500009						D	90,0	3,54	B	55,0	2,17	H	59,8	2,35	J	36,0	1,42	0,71	1,56
1"	F A21 1-1/2 BSP	Female 801300028	812500046	25	1 1/2"	G	182,8	7,20	F	110,8	4,36	C	60,0	2,36	I	64,8	2,55	E	55,0	2,17	1,40	3,08
	M A21 1-1/2 BSP	Male 801300027	812500047						D	95,0	3,74	B	60,0	2,36	H	64,8	2,55	J	36,0	1,42	0,80	1,76
1-1/4"	F A25 1 BSP	Female 801300046	812500056	31,5	1"	G	196,8	7,75	F	120,1	4,73	C	55,0	2,17	I	65,0	2,56	E	65,0	2,56	2,09	4,61
	M A25 1 BSP	Male 801300047	812500057						D	100,0	3,94	B	55,0	2,17	H	59,8	2,35	J	44,0	1,73	1,13	2,49
1-1/4"	F A25 1-1/4 BSP	Female 801300052	812500014	31,5	1 1/4"	G	206,8	8,14	F	125,1	4,93	C	55,0	2,17	I	65,0	2,56	E	65,0	2,56	2,07	4,56
	M A25 1-1/4 BSP	Male 801300053	812500015						D	105,0	4,13	B	55,0	2,17	H	59,8	2,35	J	44,0	1,73	1,09	2,39
1-1/2"	F A30 1-1/4 BSP	Female 801300036*	812500058	38	1-1/4"	G	214,9	8,46	F	132,4	5,21	C	65,0	2,56	I	69,8	2,75	E	80,0	3,15	3,25	7,16
	M A30 1-1/4 BSP	Male 801300037*	812500059						D	111,1	4,37	B	65,0	2,56	H	82,0	3,23	J	57,0	2,24	1,75	3,85
1-1/2"	F A30 1-1/2 BSP	Female 801300026	812500016	38	1 1/2"	G	214,9	8,46	F	132,4	5,21	C	65,0	2,56	I	82,0	3,23	E	80,0	3,15	3,14	6,92
	M A30 1-1/2 BSP	Male 801300025	812500017						D	111,1	4,37	B	65,0	2,56	H	69,8	2,75	J	57,0	2,24	1,67	3,67
1-1/2"	F A30 2 BSP	Female 801300038	812500060	38	2"	G	228,4	8,99	F	138,0	5,43	C	75,0	2,95	I	82,0	3,23	E	80,0	3,15	3,33	7,33
	M A30 2 BSP	Male 801300039	812500061						D	119,0	4,69	B	75,0	2,95	H	82,0	3,23	J	57,0	2,24	1,93	4,25

* Available upon request.

Part numbers highlighted in grey are phasing out and will be replaced by A NEW items.

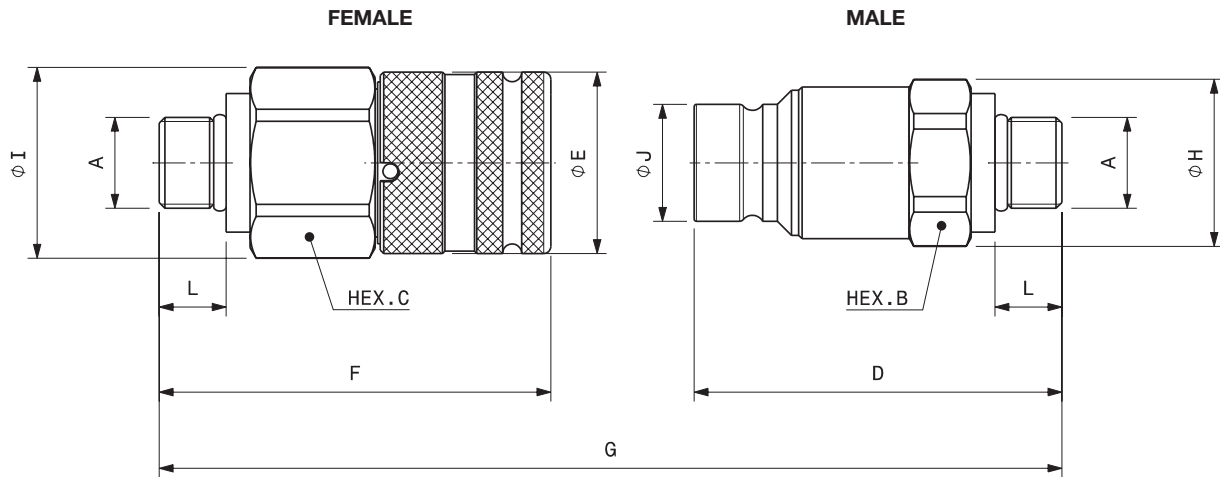


Port description: FEMALE THREAD NPT (ANSI B1.20.1)

BODY SIZE	Descriptive Code	Item Code	A NEW	ISO DN	PORT (A)	Overall Length		Length		Hex		Diameter		Diameter		Weight						
						mm	in	mm	in	mm	in	mm	in	mm	in	kg	lb					
1/8"	F A4 1/8 NPT	Female 801301002			1/8"	G	68,4	2,69	F	40,0	1,57	C	19,0	0,75	I	20,5	0,81	E	20,0	0,79	0,07	0,16
	M A4 1/8 NPT	Male 801301003							D	36,3	1,43	B	17,0	0,67	H	18,5	0,73	J	11,6	0,46	0,04	0,08
1/4"	F A7 1/4 NPT	Female 801301004		6,3	1/4"	G	90,2	3,55	F	53,1	2,09	C	27,0	1,06	I	29,0	1,14	E	28,0	1,10	0,19	0,41
	M A7 1/4 NPT	Male 801301023							D	47,9	1,89	B	22,0	0,87	H	23,8	0,94	J	16,1	0,63	0,09	0,19
3/8"	F A9 3/8 NPT	Female 801301006		10	3/8"	G	108,8	4,28	F	64,8	2,55	C	30,0	1,18	I	32,0	1,26	E	32,0	1,26	0,27	0,60
	M A9 3/8 NPT	Male 801301005							D	60,0	2,36	B	27,0	1,06	H	29,0	1,14	J	19,7	0,78	0,15	0,33
3/8"	F A9 1/2 NPT	Female 801301008		10	1/2"	G	116,3	4,58	F	69,8	2,75	C	30,0	1,18	I	32,0	1,26	E	32,0	1,26	0,28	0,61
	M A9 1/2 NPT	Male 801301007							D	62,5	2,46	B	27,0	1,06	H	29,0	1,14	J	19,7	0,78	0,14	0,30
1/2"	F A13 1/2 NPT	Female 801301010		12,5	1/2"	G	127,5	5,02	F	76,8	3,02	C	36,0	1,42	I	40,0	1,57	E	38,0	1,50	0,45	1,00
	M A13 1/2 NPT	Male 801301009							D	68,0	2,68	B	36,0	1,42	H	40,0	1,57	J	24,5	0,96	0,30	1,65
1/2"	F A13 3/4 NPT	Female 801301012		12,5	3/4"	G	137,0	5,39	F	83,8	3,30	C	36,0	1,42	I	40,0	1,57	E	38,0	1,50	0,47	1,03
	M A13 3/4 NPT	Male 801301011							D	70,5	2,78	B	36,0	1,42	H	40,0	1,57	J	24,5	0,96	0,27	0,60
5/8"	F A15 3/4 NPT	Female 801301014		16	3/4"	G	139,4	5,49	F	84,0	3,31	C	41,0	1,61	I	44,8	1,76	E	42,0	1,65	0,63	1,39
	M A15 3/4 NPT	Male 801301013							D	73,0	2,87	B	36,0	1,42	H	38,5	1,52	J	27,0	1,06	0,29	0,64
5/8"	F A15 1 NPT	Female 801301020		16	1"	G	145,4	5,72	F	87,0	3,43	C	41,0	1,61	I	44,8	1,76	E	42,0	1,65	0,61	1,33
	M A15 1 NPT	Male 801301019							D	76,0	2,99	B	41,0	1,61	H	44,8	1,76	J	27,0	1,06	0,34	0,74
3/4"	F A17 3/4 NPT	Female 801301030	812501014	19	3/4"	G	157,5	6,20	F	95,8	3,77	C	46,0	1,81	I	49,8	1,96	E	48,0	1,89	0,96	2,12
	M A17 3/4 NPT	Male 801301031	812501015						D	83,7	3,30	B	46,0	1,81	H	49,8	1,96	J	30,0	1,18	0,54	1,18
3/4"	F A17 1 NPT	Female 801301000	812501012	19	1"	G	160,5	6,32	F	98,8	3,89	C	46,0	1,81	I	49,8	1,96	E	48,0	1,89	0,93	2,05
	M A17 1 NPT	Male 801301001	812501013						D	83,7	3,30	B	46,0	1,81	H	49,8	1,96	J	30,0	1,18	0,47	1,04
1"	F A21 1 NPT	Female 801301028	812501020	25	1"	G	178,6	7,03	F	104,8	4,13	C	55,0	2,17	I	59,8	2,35	E	55,0	2,17	1,43	3,15
	M A21 1 NPT	Male 801301029	812501021						D	96,8	3,81	B	55,0	2,17	H	59,8	2,35	J	36,0	1,42	0,90	1,98
1"	F A21 1-1/4 NPT	Female 801301016	812501016	25	1-1/4"	G	172,8	6,80	F	105,8	4,17	C	55,0	2,17	I	59,8	2,35	E	55,0	2,17	1,31	2,89
	M A21 1-1/4 NPT	Male 801301015	812501017						D	90,0	3,54	B	55,0	2,17	H	59,8	2,35	J	36,0	1,42	0,70	1,54
1"	F A21 1-1/2 NPT	Female 801301026 *	812501018	25	1-1/2"	G	182,8	7,20	F	110,8	4,36	C	60,0	2,36	I	64,8	2,55	E	55,0	2,17	1,37	3,01
	M A21 1-1/2 NPT	Male 801301027 *	812501019						D	95,0	3,74	B	60,0	2,36	H	64,8	2,55	J	36,0	1,42	0,75	1,66
1-1/4"	F A25 1 NPT	Female 801301032 *	812501056	31,5	1"	G	206,8	8,14	F	125,1	4,93	C	55,0	2,17	I	65,0	2,56	E	65,0	2,56	2,09	4,61
	M A25 1 NPT	Male 801301033 *	812501057						D	105,0	4,13	B	55,0	2,17	H	59,8	2,35	J	44,0	1,73	1,13	2,49
1-1/4"	F A25 1-1/4 NPT	Female 801301034	812501024	31,5	1-1/4"	G	206,8	8,14	F	125,1	4,93	C	55,0	2,17	I	65,0	2,56	E	65,0	2,56	2,10	4,63
	M A25 1-1/4 NPT	Male 801301035	812501025						D	105,0	4,13	B	55,0	2,17	H	59,8	2,35	J	44,0	1,73	1,11	2,44
1-1/2"	F A30 1-1/2 NPT	Female 801301018	812501026	38	1-1/2"	G	214,9	8,46	F	132,4	5,21	C	65,0	2,56	I	82,0	3,23	E	80,0	3,15	3,14	6,92
	M A30 1-1/2 NPT	Male 801301017	812501027						D	111,1	4,37	B	65,0	2,56	H	69,8	2,75	J	57,0	2,24	1,67	3,67
1-1/2"	F A30 2 NPT	Female 801301024	812501060	38	2"	G	228,4	8,99	F	138,0	5,43	C	75,0	2,95	I	82,0	3,23	E	80,0	3,15	3,25	7,17
	M A30 2 NPT	Male 801301025	812501061						D	119,0	4,69	B	75,0	2,95	H	82,0	3,23	J	57,0	2,24	1,94	4,28

* Available upon request.

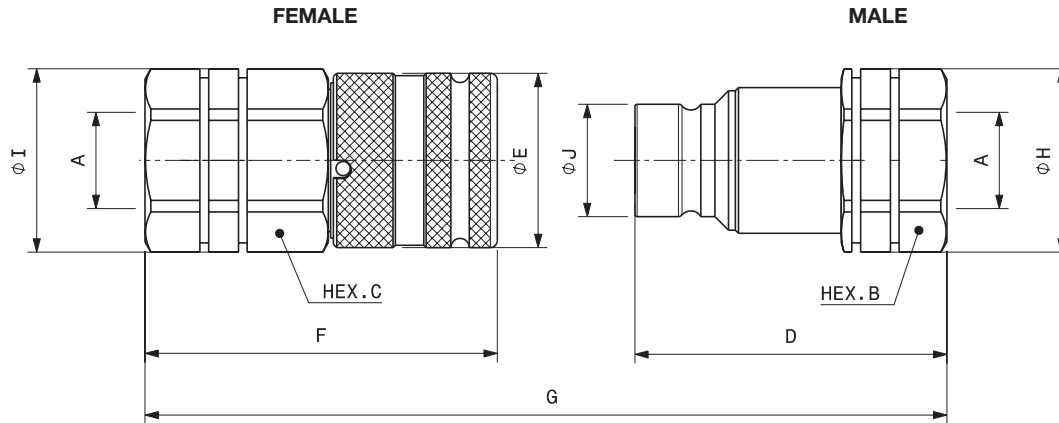
Part numbers highlighted in grey are phasing out and will be replaced by A NEW items.



Port description: MALE THREAD SAE – (ISO 11926-3 & SAE J514)

BODY SIZE	Descriptive Code	Item Code	ISO DN	PORT (A)		Overall Length		Length		Hex		Diameter		Diameter		Length		Weight			
				mm	in	mm	in	mm	in	mm	in	mm	in	mm	in	mm	in	Kg	lb		
1/4"	F A7 3/8 SAE EXT	Female 801304020 *	6,3	9/16 - 18UNF	G	-	-	F	-	C	-	-	E	-	-	L	10,0	0,39	-	-	
	M A7 3/8 SAE EXT	Male 801304021 *						D	51,9	2,04	B	22,0	0,87	H	23,8						0,94
3/8"	F A9 3/8 SAE EXT	Female 801304036 *	10	9/16 - 18UNF	G	-	-	F	-	C	-	-	E	-	-	L	9,9	0,39	-	-	
	M A9 3/8 SAE EXT	Male 801304037 *						D	65,5	2,58	B	27,0	1,06	H	29,0						1,14
3/8"	F A9 1/2 SAE EXT	Female 801304032	10	3/4 - 16UNF	G	116,8	4,60	F	68,7	2,70	C	30,0	1,18	E	32,0	1,26	L	11,1	0,44	0,26	0,57
	M A9 1/2 SAE EXT	Male 801304033						D	64,1	2,52	B	27,0	1,06	H	29,0	1,14					
1/2"	F A13 5/8 SAE EXT	Female 801304046 *	12,5	7/8 - 14UNF	G	-	-	F	-	C	-	-	E	-	-	L	12,7	0,50	-	-	
	M A13 5/8 SAE EXT	Male 801304047 *						D	72,7	2,86	B	36,0	1,42	H	40,0						1,57
5/8"	F A15 3/4 SAE EXT	Female 801304022 *	16	1-1/16-12UN	G	140,1	5,52	F	82,6	3,25	C	41,0	1,61	E	44,8	1,76	L	15,1	0,59	0,56	1,23
	M A15 3/4 SAE EXT	Male 801304023 *						D	75,1	2,96	B	36,0	1,42	H	38,5	1,52					

* Available upon request.

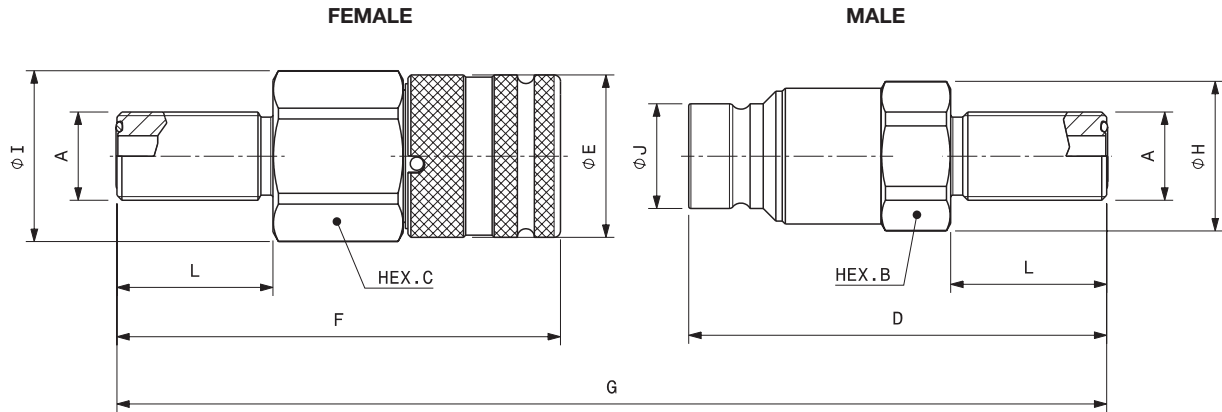


Port description: FEMALE THREAD SAE (ISO 11926-1 & SAEJ1926-1)

BODY SIZE	Descriptive Code	Item Code	A NEW	ISO DM	PORT (A)	Overall Length		Length		Hex		Diameter		Diameter		Weight						
						mm	in	mm	in	mm	in	mm	in	mm	in	kg	lb					
1/8"	F A4 3/16 SAE	Female 801304002		-	3/8-24UNF	G	68,4	2,69	F	40,0	1,57	C	19,0	0,75	I	20,5	0,81	E	20,0	0,79	0,08	0,17
	M A4 3/16 SAE	Male 801304003							D	36,3	1,43	B	17,0	0,67	H	18,5	0,73	J	11,6	0,46	0,04	0,08
1/8"	F A4 1/4 SAE	Female 801304044		-	7/16 - 20UNF	G	84,3	3,32	F	44,0	1,73	C	19,0	0,75	I	20,5	0,81	E	20,0	0,79	0,08	0,17
	M A4 1/4 SAE	Male 801304045							D	40,3	1,59	B	17,0	0,67	H	18,5	0,73	J	11,6	0,46	0,04	0,09
1/4"	F A7 3/8 SAE	Female 801304004		6,3	9/16-18UNF	G	96,2	3,79	F	56,1	2,21	C	27,0	1,06	I	29,0	1,14	E	28,0	1,10	0,20	0,44
	M A7 3/8 SAE	Male 801304017							D	50,9	2,00	B	22,0	0,87	H	23,8	0,94	J	16,1	0,63	0,09	0,20
3/8"	F A9 3/8 SAE	Female 801304006		10	9/16-18UNF	G	108,8	4,28	F	64,8	2,55	C	30,0	1,18	I	32,0	1,26	E	32,0	1,26	0,27	0,60
	M A9 3/8 SAE	Male 801304005							D	60,0	2,36	B	27,0	1,06	H	29,0	1,14	J	19,7	0,78	0,08	0,19
3/8"	F A9 1/2 SAE	Female 801304008		10	3/4-16UNF	G	116,3	4,58	F	69,8	2,75	C	30,0	1,18	I	32,0	1,26	E	32,0	1,26	0,29	0,63
	M A9 1/2 SAE	Male 801304007							D	62,5	2,46	B	27,0	1,06	H	29,0	1,14	J	19,7	0,78	0,15	0,32
3/8"	F A9 5/8 SAE	Female 801304030		10	7/8-14UNF	G	121,3	4,78	F	71,8	2,83	C	30,0	1,18	I	32,0	1,26	E	32,0	1,26	0,28	0,61
	M A9 5/8 SAE	Male 801304031							D	65,5	2,58	B	30,0	1,18	H	32,0	1,26	J	19,7	0,78	0,17	0,36
1/2"	F A13 5/8 SAE	Female 801304024		12,5	7/8-14UNF	G	131,5	5,18	F	78,8	3,10	C	36,0	1,42	I	40,0	1,57	E	38,0	1,50	0,46	1,01
	M A13 5/8 SAE	Male 801304025							D	70,0	2,76	B	36,0	1,42	H	40,0	1,57	J	24,5	0,96	0,29	0,65
1/2"	F A13 3/4 SAE	Female 801304010		12,5	1-1/1612UN	G	139,0	5,47	F	83,8	3,30	C	36,0	1,42	I	40,0	1,57	E	38,0	1,50	0,46	1,02
	M A13 3/4 SAE	Male 801304009							D	72,5	2,85	B	36,0	1,42	H	40,0	1,57	J	24,5	0,96	0,28	0,61
5/8"	F A15 3/4 SAE	Female 801304012		16	1-1/16-12UN	G	139,4	5,49	F	84,0	3,31	C	41,0	1,61	I	44,8	1,76	E	42,0	1,65	0,63	1,38
	M A15 3/4 SAE	Male 801304011							D	73,0	2,87	B	36,0	1,42	H	38,5	1,52	J	27,0	1,06	0,30	0,65
3/4"	F A17 3/4 SAE	Female 801304028	812504030	19	1-1/16-12UN	G	160,5	6,32	F	98,8	3,89	C	46,0	1,81	I	49,8	1,96	E	48,0	1,89	0,99	2,17
	M A17 3/4 SAE	Male 801304029	812504031						D	83,7	3,30	B	46,0	1,81	H	49,8	1,96	J	30,0	1,18	0,52	1,15
3/4"	F A17 1 SAE	Female 801304000	812504026	19	1-5/16-12UN	G	160,5	6,32	F	98,8	3,89	C	46,0	1,81	I	49,8	1,96	E	48,0	1,89	0,93	2,05
	M A17 1 SAE	Male 801304001	812504027						D	83,7	3,30	B	46,0	1,81	H	49,8	1,96	J	30,0	1,18	0,47	1,03
3/4"	F A17 1-1/4 SAE	Female 801304026	812504028	19	1-5/8-12UN	G	191,1	7,52	F	103,3	4,07	C	55,0	2,17	I	59,8	2,35	E	48,0	1,89	0,00	0,00
	M A17 1-1/4 SAE	Male 801304027	812504029						D	87,8	3,46	B	55,0	2,17	H	59,8	2,35	J	30,0	1,18	0,00	0,00
1"	F A21 1 SAE	Female 801304038	812504034	25	1-5/16-12UN	G	178,6	7,03	F	104,8	4,13	C	55,0	2,17	I	59,8	2,35	E	55,0	2,17	1,42	3,12
	M A21 1 SAE	Male 801304039	812504035						D	96,8	3,81	B	55,0	2,17	H	59,8	2,35	J	36,0	1,42	0,89	1,96
1"	F A21 1-1/4 SAE	Female 801304014	812504032	25	1-5/8-12UN	G	172,8	6,80	F	105,8	4,17	C	55,0	2,17	I	59,8	2,35	E	55,0	2,17	1,32	2,91
	M A21 1-1/4 SAE	Male 801304013	812504033						D	90,0	3,54	B	55,0	2,17	H	59,8	2,35	J	36,0	1,42	0,71	1,56
	F A25 1 SAE	Female 801304040	812504056	31,5	1-5/16-12UN	G	206,8	8,14	F	125,1	4,93	C	55,0	2,17	I	65,0	2,56	E	65,0	2,56	2,09	4,61
	M A25 1 SAE	Male 801304041	812504057						D	105,0	4,13	B	55,0	2,17	H	59,8	2,35	J	44,0	1,73	1,13	2,49
	F A25 1-1/4 SAE	Female 801304042	812504058	31,5	1-5/8-12UN	G	206,8	8,14	F	125,1	4,93	C	55,0	2,17	I	65,0	2,56	E	65,0	2,56	2,07	4,56
	M A25 1-1/4 SAE	Male 801304043	812504059						D	105,0	4,13	B	55,0	2,17	H	59,8	2,35	J	44,0	1,73	1,09	2,39
	F A30 1-1/2 SAE	Female 801304016	812504044	38	1-7/8-12UN	G	214,9	8,46	F	132,4	5,21	C	65,0	2,56	I	82,0	3,23	E	80,0	3,15	3,16	6,97
	M A30 1-1/2 SAE	Male 801304015	812504045						D	111,1	4,37	B	65,0	2,56	H	69,8	2,75	J	57,0	2,24	1,66	3,66

* Available upon request.

Part numbers highlighted in grey are phasing out and will be replaced by A NEW items.



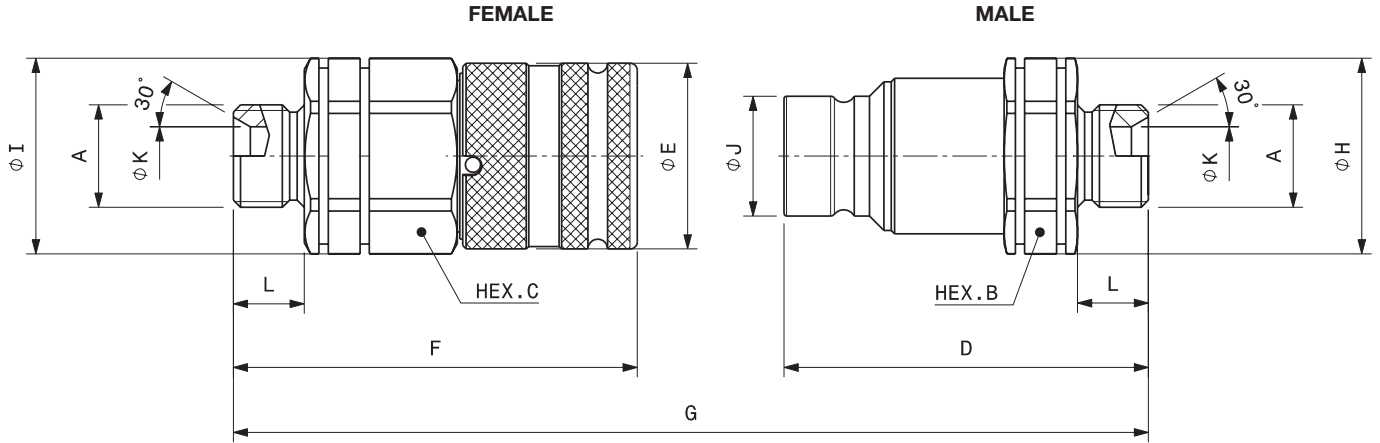
Port description: ORFS BULKHEAD (ISO 8434-3 & SAE J1453)

BODY SIZE	Descriptive Code	Item Code	A NEW	ISO DM	PORT (A)	Overall Length		Length		Hex			Diameter		Diameter		Length		Weight						
						mm	in	mm	in	mm	in	mm	in	mm	in	mm	in	mm	in	Kg	lb				
3/8"	F A9 3/8 ORFS BH	Female 801313014		10	11/16-16UN	G	169,3	6,67	F	95,1	3,74	C	30,0	1,18	I	32,0	1,26	E	32,0	1,26	L	34,0	1,34	0,32	0,71
	M A9 3/8 ORFS BH	Male 801313015							D	90,2	3,55	B	27,0	1,06	H	29,0	1,14	J	19,7	0,78					
1/2"	F A13 1/2 ORFS BH	Female 801313018		12,5	13/16-16UN	G	184,3	7,26	F	103,8	4,09	C	36,0	1,42	I	40,0	1,57	E	38,0	1,50	L	36,5	1,44	0,47	1,03
	M A13 1/2 ORFS BH	Male 801313019							D	97,8	3,85	B	32,0	1,26	H	35,0	1,38	J	24,5	0,96					
1/2"	F A13 5/8 ORFS BH33	Female 801313000		12,5	1-14UNS	G	171,7	6,76	F	96,0	3,78	C	36,0	1,42	I	40,0	1,57	E	38,0	1,50	L	33,0	1,30	0,46	1,02
	M A13 5/8 ORFS BH33	Male 801313001							D	93,0	3,66	B	32,0	1,26	H	35,0	1,38	J	24,5	0,96					
1/2"	F A13 3/4 ORFS BH	Female 801313004		12,5	1-3/16-12UN	G	189,1	7,44	F	104,7	4,12	C	36,0	1,26	I	40,0	1,57	E	38,0	1,50	L	41,7	1,64	0,52	2,34
	M A13 3/4 ORFS BH	Male 801313005							D	101,7	4,00	B	32,0	1,26	H	35,0	1,38	J	24,5	0,96					
1/2"	F A13 1 ORFS BH	Female 801313006		12,5	1-7/16-12UN	G	190,1	7,48	F	105,2	4,14	C	38,0	1,50	I	42,0	1,65	E	38,0	1,50	L	42,2	1,66	0,60	5,16
	M A13 1 ORFS BH	Male 801313007							D	102,2	4,02	B	38,0	1,50	H	42,0	1,65	J	24,5	0,96					
5/8"	F A15 3/4 ORFS BH	Female 801313022		16	1-3/16-12UN	G	196,4	7,73	F	111,5	4,39	C	41,0	1,61	I	44,8	1,76	E	42,0	1,65	L	41,5	1,63	0,69	1,52
	M A15 3/4 ORFS BH	Male 801313023							D	102,5	4,04	B	36,0	1,42	H	38,5	1,52	J	27,0	1,06					
3/4"	F A17 1 ORFS BH	Female 801313008	812513024	19	1-7/16-12UN	G	227,7	8,96	F	132,5	5,22	C	46,0	1,81	I	49,8	1,96	E	48,0	1,89	L	42,2	1,66	1,13	2,48
	M A17 1 ORFS BH	Male 801313009	812513025						D	117,2	4,61	B	46,0	1,81	H	49,8	1,96	J	30,0	1,18					
1"	F A21 1-1/4 ORFS BH	Female 801313026	812513030	25	1-11/16-12UN	G	234,8	9,24	F	133,8	5,27	C	55,0	2,17	I	59,8	2,35	E	55,0	2,17	L	42,0	1,65	1,51	3,32
	M A21 1-1/4 ORFS BH	Male 801313027	812513031						D	124,0	4,88	B	55,0	2,17	H	59,8	2,35	J	36,0	1,42					

* Available upon request.

Locknuts available upon request.

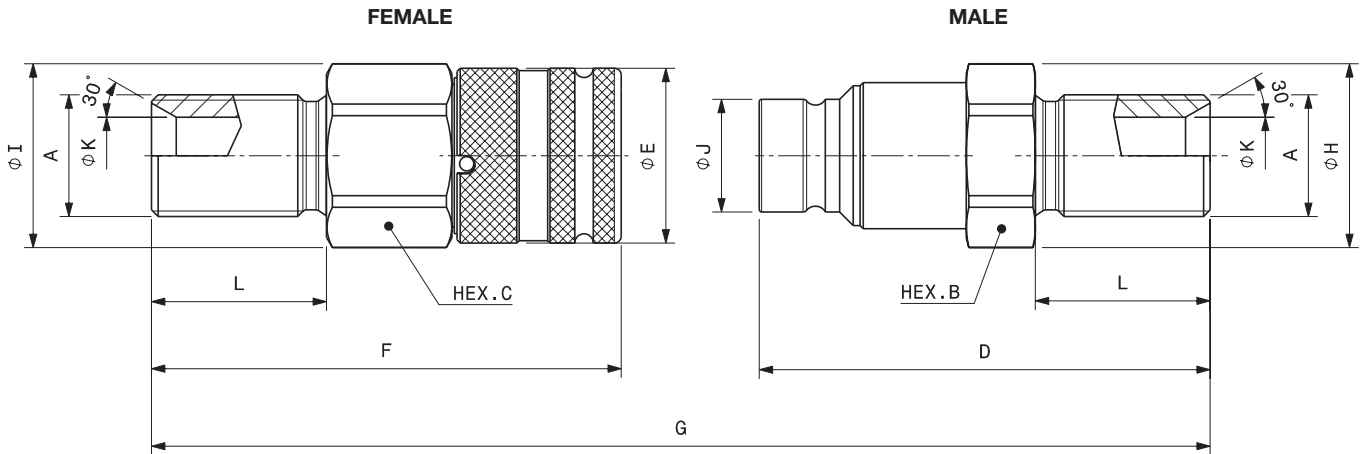
Part numbers highlighted in grey are phasing out and will be replaced by A NEW items.



Port description: MALE THREAD BSPP (ISO 8434-6)

BODY SIZE	Descriptive Code	Item Code	ISO DN	PORT (A)	Overall Length	Length		Hex		Diameter		Diameter		Length		Weight								
						mm	in	mm	in	mm	in	mm	in	mm	in	mm	in	kg	lb					
1/4"	F A7 1/4 BSP EXT	Female 801300030	6,3	1/4"	G	95,2	3,75	F	53,1	2,09	C	27,0	1,06	I	29,0	1,14	E	28,0	1,10	L	11,0	0,43	0,16	0,34
	M A7 1/4 BSP EXT	Male 801300029						D	52,9	2,08	B	22,0	0,87	H	23,8	0,94	J	16,1	0,63					
3/8"	F A9 3/8 BSP EXT	Female 801300010	10	3/8"	G	121,1	4,77	F	71,1	2,80	C	30,0	1,18	I	32,0	1,26	E	32,0	1,26	L	13,0	0,51	0,26	0,57
	M A9 3/8 BSP EXT	Male 801300009						D	66,0	2,60	B	27,0	1,06	H	29,0	1,14	J	19,7	0,78					
3/8"	F A9 1/2 BSP EXT	Female 801300012	10	1/2"	G	122,6	4,83	F	71,1	2,80	C	30,0	1,18	I	32,0	1,26	E	32,0	1,26	L	14,5	0,57	0,26	0,57
	M A9 1/2 BSP EXT	Male 801300011						D	67,5	2,66	B	27,0	1,06	H	29,0	1,14	J	19,7	0,78					
1/2"	F A13 1/2 BSP EXT	Female 801300018	12,5	1/2"	G	139,8	5,50	F	82,6	3,25	C	36,0	1,42	I	40,0	1,57	E	38,0	1,50	L	14,5	0,57	0,43	0,94
	M A13 1/2 BSP EXT	Male 801300017						D	74,5	2,93	B	36,0	1,42	H	40,0	1,57	J	24,5	0,96					
1/2"	F A13 3/4 BSP EXT	Female 801300020*	12,5	3/4"	G	143,8	5,66	F	84,6	3,33	C	36,0	1,42	I	40,0	1,57	E	38,0	1,50	L	16,5	0,65	0,45	0,98
	M A13 3/4 BSP EXT	Male 801300019*						D	76,5	3,01	B	36,0	1,42	H	40,0	1,57	J	24,5	0,96					
5/8"	F A15 3/4 BSP EXT	Female 801300032*	16	3/4"	G	-	-	F	84,0	3,31	C	41,0	1,61	I	44,8	1,76	E	42,0	1,65	L	16,5	0,65	0,66	1,45
	M A15 3/4 BSP EXT	Male 801300033*						D	-	-	B	-	-	H	-	-	J	-	-					

* Available upon request.



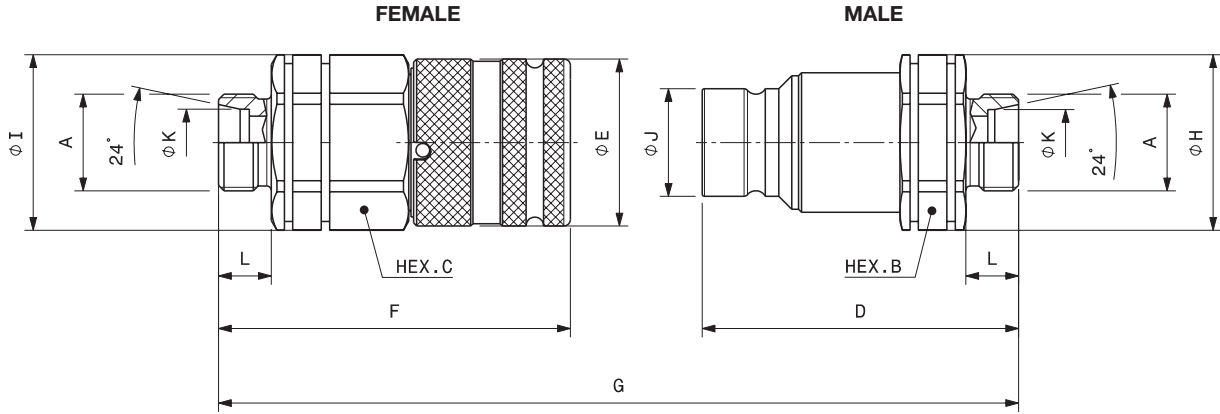
Port description: MALE THREAD BSPP BULKHEAD (ISO 8434-6)

BODY SIZE	Descriptive Code	Item Code	A NEW	ISO DM	PORT (A)	Overall Length		Length		Hex		Diameter		Diameter		Length		Weight						
						mm	in	mm	in	mm	in	mm	in	mm	in	mm	in	mm	in	kg	lb			
3/8"	F A9 3/8 BSP BH32	Female 801300044	10	3/8"	G	159,1	6,26	F	90,1	3,55	C	30,0	1,18	I	32,0	1,26	E	32,0	1,26	L	32,0	32,00	0,29	0,63
	M A9 3/8 BSP BH32	Male 801300045						D	85,0	3,35	B	27,0	1,06	H	29,0	1,14	J	19,7	0,78					
3/8"	F A9 1/2 BSP BH35	Female 801300054*	10	1/2"	G	165,8	6,53	F	93,4	3,68	C	30,0	1,18	I	32,0	1,26	E	32,0	1,26	L	35,0	35,00	0,31	0,68
	M A9 1/2 BSP BH35	Male 801300055*						D	88,4	3,48	B	27,0	1,06	H	29,0	1,14	J	19,7	0,78					
1/2"	F A13 3/4 BSP BH38	Female 801300056	12,5	3/4"	G	182,8	7,20	F	102,1	4,02	C	36,0	1,42	I	40,0	1,57	E	38,0	1,50	L	38,0	38,00	0,46	1,01
	M A13 3/4 BSP BH38	Male 801300057						D	98,0	3,86	B	36,0	1,42	H	40,0	1,57	J	24,5	0,96					
3/4"	F A17 1 BSP BH41	Female 801300058	19	1"	G	221,3	8,71	F	127,3	5,01	C	46,0	1,81	I	49,8	1,96	E	48,0	1,89	L	41,0	41,00	1,00	2,19
	M A17 1 BSP BH41	Male 801300059						D	116,0	4,57	B	46,0	1,81	H	49,8	1,96	J	30,0	1,18					

* Available upon request.

Locknuts available upon request.

Part numbers highlighted in grey are phasing out and will be replaced by A NEW items.

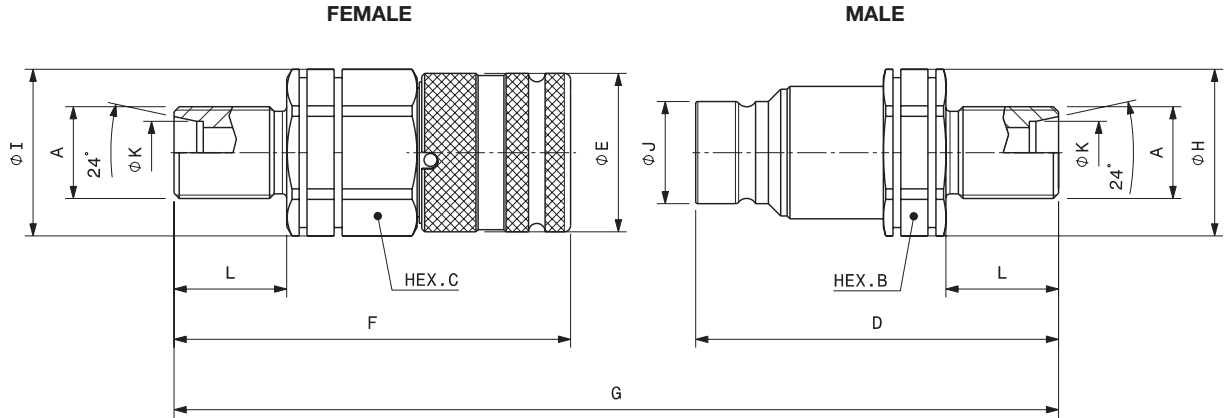


Port description: MALE THREAD L SERIES -24° CONE (ISO 8434-1 & DIN 2353)

BODY SIZE	Descriptive Code	Item Code	A NEW	ISO DN	PORT (A)	Overall Length	Length		Hex		Diameter		Diameter		Diameter		Length		Weight										
							mm	in	mm	in	mm	in	mm	in	mm	in	mm	in	mm	in	kg	lb							
1/4"	F A7 L8	Female	801308014	6,3	M14x1,5	G	93,2	3,67	F	52,1	2,05	C	27,0	1,06	I	29,0	1,14	E	28,0	1,10	K	8,2	0,32	L	10,00	0,39	0,16	0,34	
	M A7 L8	Male	801308015						D	51,9	2,04	B	22,0	0,87	H	23,8	0,94	J	16,1	0,63									
1/4"	F A7 L10	Female	801308010	6,3	M16x1,5	G	95,2	3,75	F	53,1	2,09	C	27,0	1,06	I	29,0	1,14	E	28,0	1,10	K	10,2	0,40	L	11,00	0,43	0,12	0,25	
	M A7 L10	Male	801308011						D	52,9	2,08	B	22,0	0,87	H	23,8	0,94	J	16,1	0,63									
1/4"	F A7 L12	Female	801308036 *	6,3	M18x1,5	G	-	-	F	53,1	2,09	C	27,0	1,06	I	29,0	1,14	E	28,0	1,10	K	12,2	0,48	L	11,00	0,43	0,16	0,34	
	M A7 L12	Male	801308037 *						D	-	-	B	-	-	H	-	-	J	-	-									
3/8"	F A9 L8	Female	801308038	10	M14x1,5	G	117,5	4,63	F	69,0	2,72	C	30,0	1,18	I	32,0	1,26	E	32,0	1,26	K	8,0	0,32	L	10,00	0,39	0,27	0,59	
	M A9 L8	Male	801308039						D	64,5	2,54	B	30,0	1,18	H	32,0	1,26	J	19,7	0,78									
3/8"	A 9 L10	Female	801308008	10	M16x1,5	G	119,1	4,69	F	69,6	2,74	C	30,0	1,18	I	32,0	1,26	E	32,0	1,26	K	10,2	0,40	L	11,00	0,43	0,26	0,57	
	A 9 L10	Male	801308009						D	65,5	2,58	B	30,0	1,18	H	32,0	1,26	J	19,7	0,78									
3/8"	A 9 L12	Female	801308004	10	M18x1,5	G	117,1	4,61	F	67,6	2,66	C	30,0	1,18	I	32,0	1,26	E	32,0	1,26	K	12,2	0,48	L	11,00	0,43	0,25	0,55	
	A 9 L12	Male	801308005						D	65,5	2,58	B	30,0	1,18	H	32,0	1,26	J	19,7	0,78									
3/8"	A 9 L15	Female	801308006	10	M22x1,5	G	119,1	4,69	F	68,6	2,70	C	30,0	1,18	I	32,0	1,26	E	32,0	1,26	K	15,2	0,60	L	12,00	0,47	0,26	0,56	
	A 9 L15	Male	801308007						D	66,5	2,62	B	30,0	1,18	H	32,0	1,26	J	19,7	0,78									
3/8"	F A9 L18	Female	801308034	10	M26x1,5	G	119,1	4,69	F	68,6	2,70	C	30,0	1,18	I	32,0	1,26	E	32,0	1,26	K	18,2	0,72	L	12,00	0,47	0,27	0,60	
	M A9 L18	Male	801308035						D	66,5	2,62	B	30,0	1,18	H	32,0	1,26	J	19,7	0,78									
1/2"	A 13 L12	Female	801308000	12,5	M18x1,5	G	132,8	5,23	F	79,1	3,11	C	36,0	1,42	I	40,0	1,57	E	38,0	1,50	K	12,2	0,48	L	11,00	0,43	0,42	0,92	
	A 13 L12	Male	801308001						D	71,0	2,80	B	36,0	1,42	H	40,0	1,57	J	24,5	0,96									
1/2"	A 13 L15	Female	801308002	12,5	M22x1,5	G	134,8	5,31	F	80,1	3,15	C	36,0	1,42	I	40,0	1,57	E	38,0	1,50	K	15,2	0,60	L	12,00	0,47	0,43	0,94	
	A 13 L15	Male	801308003						D	72,0	2,83	B	36,0	1,42	H	40,0	1,57	J	24,5	0,96									
1/2"	F A13 L18	Female	801308042	12,5	M26x1,5	G	134,8	5,31	F	80,1	3,15	C	36,0	1,42	I	40,0	1,57	E	38,0	1,50	K	18,2	0,72	L	12,00	0,47	0,44	0,96	
	M A13 L18	Male	801308043						D	72,0	2,83	B	36,0	1,42	H	40,0	1,57	J	24,5	0,96									
1/2"	F A13 L22	Female	801308040	12,5	M30x2	G	138,8	5,46	F	82,1	3,23	C	36,0	1,42	I	40,0	1,57	E	38,0	1,50	K	22,2	0,87	L	14,00	0,55	0,44	0,96	
	M A13 L22	Male	801308041						D	74,0	2,91	B	36,0	1,42	H	40,0	1,57	J	24,5	0,96									
5/8"	F A15 L15	Female	801308016	16	M22x1,5	G	139,9	5,51	F	84,5	3,33	C	41,0	1,61	I	44,8	1,76	E	42,0	1,65	K	15,2	0,60	L	12,00	0,47	0,59	1,29	
	M A15 L15	Male	801308017						D	73,0	2,87	B	36,0	1,42	H	38,5	1,52	J	27,0	1,06									
5/8"	F A15 L18	Female	801308018	16	M26x1,5	G	137,4	5,41	F	82,0	3,23	C	41,0	1,61	I	44,8	1,76	E	42,0	1,65	K	18,2	0,72	L	12,00	0,47	0,58	1,27	
	M A15 L18	Male	801308019						D	73,0	2,87	B	36,0	1,42	H	38,5	1,52	J	27,0	1,06									
5/8"	F A15 L22	Female	801308020	16	M30x2	G	137,8	5,46	F	81,4	3,20	C	41,0	1,61	I	44,8	1,76	E	42,0	1,65	K	22,2	0,87	L	14,00	0,55	0,55	1,21	
	M A15 L22	Male	801308021						D	74,0	2,91	B	36,0	1,42	H	38,5	1,52	J	27,0	1,06									
3/4"	F A17 L18	Female	801308022	812508024	19	M26x1,5	G	168,3	6,63	F	101,3	3,99	C	46,0	1,81	I	49,8	1,96	E	48,0	1,89	K	18,2	0,72	L	12,00	0,47	0,93	2,05
	M A17 L18	Male	801308023	812508025						D	89,0	3,50	B	46,0	1,81	H	49,8	1,96	J	30,0	1,18								
3/4"	F A17 L22	Female	801308024	812508026	19	M30x2	G	167,3	6,59	F	100,3	3,95	C	46,0	1,81	I	49,8	1,96	E	48,0	1,89	K	22,2	0,87	L	14,00	0,55	0,91	2,00
	M A17 L22	Male	801308025	812508027						D	89,0	3,50	B	46,0	1,81	H	49,8	1,96	J	30,0	1,18								

* Available upon request.

Part numbers highlighted in grey are phasing out and will be replaced by A NEW items.



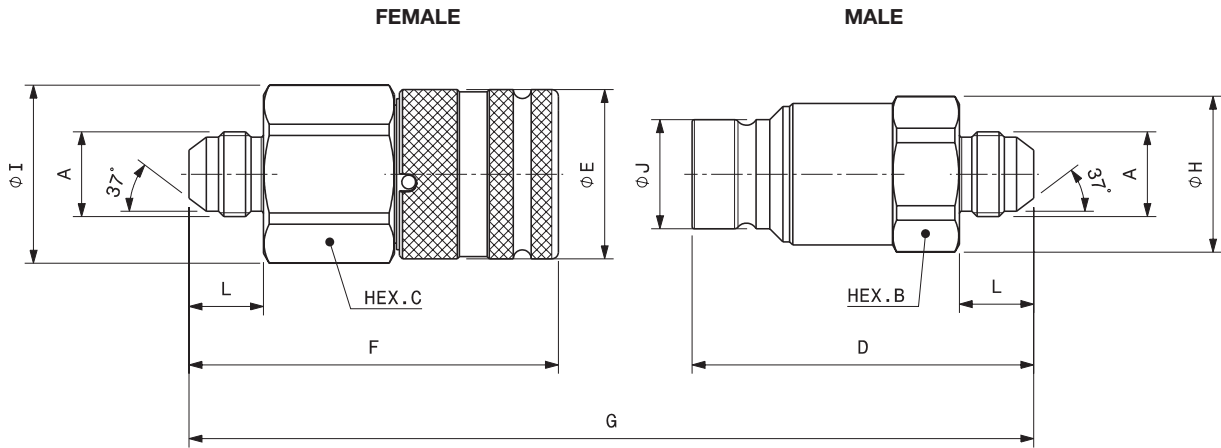
Port description: MALE THREAD L SERIES -24° CONE BULKHEAD (ISO 8434-1 & DIN 2353)

BODY SIZE	Descriptive Code	Item Code	A NEW	ISO DN	PORT (A)	Overall Length		Length		Hex		Diameter		Diameter		Diameter		Length		Weight								
						mm	in	mm	in	mm	in	mm	in	mm	in	mm	in	mm	in	mm	in	kg	lb					
1/4"	F A7 L8 SCHOTT	Female 801310014		6,3	M14x1.5	G	123,2	4,85	F	67,1	2,64	C	27,0	1,06	I	29,0	1,14	E	28,0	1,10	K	8,2	0,32	L	25,0	0,98	0,17	0,36
	M A7 L8 SCHOTT	Male 801310015							D	66,9	2,63	B	22,0	0,87	H	23,8	0,94	J	16,1	0,63								
1/4"	F A7 L10 SCHOTT	Female 801310010		6,3	M16x1.5	G	125,2	4,93	F	68,1	2,68	C	27,0	1,06	I	29,0	1,14	E	28,0	1,10	K	10,2	0,40	L	26,0	1,02	0,17	0,37
	M A7 L10 SCHOTT	Male 801310011							D	67,9	2,67	B	22,0	0,87	H	23,8	0,94	J	16,1	0,63								
3/8"	F A9 L8 SCHOTT	Female 801310040*		10	M14x1.5	G	-	-	F	-	-	C	-	-	I	-	-	E	-	-	K	8,2	0,32	L	25,0	0,98	-	-
	M A9 L8 SCHOTT	Male 801310041*							D	79,5	3,13	B	30,0	1,18	H	32,0	1,26	J	19,7	0,78								
3/8"	F A9 L10 SCHOTT	Female 801310008		10	M16x1.5	G	149,1	5,87	F	84,6	3,33	C	30,0	1,18	I	32,0	1,26	E	32,0	1,26	K	10,2	0,40	L	26,0	1,02	0,28	0,61
	M A9 L10 SCHOTT	Male 801310009							D	80,5	3,17	B	30,0	1,18	H	32,0	1,26	J	19,7	0,78								
3/8"	F A9 L12 SCHOTT	Female 801310004		10	M18x1.5	G	147,1	5,79	F	82,6	3,25	C	30,0	1,18	I	32,0	1,26	E	32,0	1,26	K	12,2	0,48	L	26,0	1,02	0,27	0,59
	M A9 L12 SCHOTT	Male 801310005							D	80,5	3,17	B	30,0	1,18	H	32,0	1,26	J	19,7	0,78								
3/8"	F A9 L15 SCHOTT	Female 801310006		10	M22x1.5	G	149,1	5,87	F	83,6	3,29	C	30,0	1,18	I	32,0	1,26	E	32,0	1,26	K	15,2	0,60	L	27,0	1,06	0,28	0,62
	M A9 L15 SCHOTT	Male 801310007							D	81,5	3,21	B	30,0	1,18	H	32,0	1,26	J	19,7	0,78								
3/8"	F A9 L18 SCHOTT	Female 801310036		10	M26x1.5	G	149,1	5,87	F	83,6	3,29	C	30,0	1,18	I	32,0	1,26	E	32,0	1,26	K	18,2	0,72	L	27,0	1,06	0,31	0,67
	M A9 L18 SCHOTT	Male 801310037							D	81,5	3,21	B	30,0	1,18	H	32,0	1,26	J	19,7	0,78								
1/2"	F A13 L12 SCHOTT	Female 801310000		12,5	M18x1.5	G	162,9	6,41	F	94,1	3,70	C	36,0	1,42	I	40,0	1,57	E	38,0	1,50	K	12,2	0,48	L	26,0	1,02	0,44	0,96
	M A13 L12 SCHOTT	Male 801310001							D	86,1	3,39	B	36,0	1,42	H	40,0	1,57	J	24,5	0,96								
1/2"	F A13 L15 SCHOTT	Female 801310002		12,5	M22x1.5	G	164,9	6,49	F	95,1	3,74	C	36,0	1,42	I	40,0	1,57	E	38,0	1,50	K	15,2	0,60	L	27,0	1,06	0,45	1,00
	M A13 L15 SCHOTT	Male 801310003							D	87,1	3,43	B	36,0	1,42	H	40,0	1,57	J	24,5	0,96								
1/2"	F A13 L22 SCHOTT	Female 801310034		12,5	M30x2	G	178,8	7,04	F	102,1	4,02	C	36,0	1,42	I	40,0	1,57	E	38,0	1,50	K	22,2	0,87	L	34,0	1,34	0,49	1,07
	M A13 L22 SCHOTT	Male 801310035							D	94,0	3,70	B	36,0	1,42	H	40,0	1,57	J	24,5	0,96								
1/2"	F A13 L18 SCHOTT	Female 801310038*		12,5	M26x1.5	G	-	-	F	95,1	3,74	C	36,0	1,42	I	40,0	1,57	E	38,0	1,50	K	18,2	0,72	L	27,0	1,06	0,48	1,05
	M A13 L18 SCHOTT	Male 801310039*							D	-	-	B	-	-	H	-	-	J	-	-								
5/8"	F A15 L18 SCHOTT	Female 801310018		16	M26x1.5	G	167,8	6,65	F	97,5	3,84	C	41,0	1,61	I	44,8	1,76	E	42,0	1,65	K	18,2	0,72	L	27,0	1,06	0,62	1,36
	M A15 L18 SCHOTT	Male 801310019							D	87,9	3,46	B	36,0	1,42	H	38,5	1,52	J	27,0	1,06								
5/8"	F A15 L22 SCHOTT	Female 801310020*		16	M30x2	G	-	-	F	-	-	C	-	-	I	-	-	E	-	-	K	22,2	0,87	L	34,0	1,34	-	-
	M A15 L22 SCHOTT	Male 801310021*							D	94,0	3,70	B	36,0	1,42	H	38,5	1,52	J	27,0	1,06								
3/4"	F A17 L18 SCHOTT	Female 801310022	812510024	19	M26x1.5	G	197,7	7,78	F	116,3	4,58	C	46,0	1,81	I	49,8	1,96	E	48,0	1,89	K	18,2	0,72	L	27,0	1,06	0,98	2,16
	M A17 L18 SCHOTT	Male 801310023	812510025						D	103,4	4,09	B	46,0	1,81	H	49,8	1,96	J	30,0	1,18								
3/4"	F A17 L22 SCHOTT	Female 801310024	812510026	19	M30x2	G	202,2	7,96	F	120,3	4,74	C	46,0	1,81	I	49,8	1,96	E	48,0	1,89	K	22,2	0,87	L	34,0	1,34	0,97	2,13
	M A17 L22 SCHOTT	Male 801310025	812510027						D	103,9	4,29	B	46,0	1,81	H	49,8	1,96	J	30,0	1,18								
1"	F A21 L22 SCHOTT	Female 801310026*	812510028	25	M30x2	G	-	-	F	-	-	C	-	-	I	-	-	E	-	-	K	22,2	0,87	L	34,0	1,34	-	-
	M A21 L22 SCHOTT	Male 801310027*	812510029						D	120,4	4,74	B	55,0	2,17	H	59,8	2,35	J	36,0	1,42								
1"	F A21 L28 SCHOTT	Female 801310028*	812510030	25	M36x2	G	-	-	F	125,8	4,95	C	55,0	2,17	I	59,8	2,35	E	55,0	2,17	K	28,2	1,11	L	34,0	1,34	1,38	3,04
	M A21 L28 SCHOTT	Male 801310029*	812510031						D	-	-	B	-	-	H	-	-	J	-	-								

* Available upon request.

Locknuts available upon request.

Part numbers highlighted in grey are phasing out and will be replaced by A NEW items.



Port description: MALE THREAD JIC - (ISO 8434-2 & SAE J514)

BODY SIZE	Descriptive Code	Item Code	ISO DN	PORT (A)	Overall Length	Length		Hex		Diameter		Diameter		Length		Weight						
						mm	in	mm	in	mm	in	mm	in	mm	in	kg	lb					
3/8"	F A9 3/8 JIC	Female 801306002*	10	9/16 - 18UNF	G	F	74,1	2,92	C	30,0	1,18	I	32,0	1,26	E	32,0	1,26	L	14,1	0,56	0,27	0,60
	M A9 3/8 JIC	Male 801306003*				D	69,0	2,72	B	27,0	1,06	H	29,0	1,14	J	19,7	0,78	L	14,1	0,56	0,15	0,32
3/8"	F A9 1/2 JIC	Female 801306004	10	3/4 - 16UNF	G	F	74,3	2,93	C	30,0	1,18	I	32,0	1,26	E	32,0	1,26	L	16,7	0,66	0,26	0,57
	M A9 1/2 JIC	Male 801306005				D	69,7	2,74	B	27,0	1,06	H	29,0	1,14	J	19,7	0,78	L	16,7	0,66	0,15	0,32
3/8"	F A9 5/8 JIC	Female 801306000*	10	7/8 - 14UNF	G	F	75,9	2,99	C	30,0	1,18	I	32,0	1,26	E	32,0	1,26	L	19,3	0,76	0,28	0,61
	M A9 5/8 JIC	Male 801306001*				D	72,3	2,85	B	27,0	1,06	H	29,0	1,14	J	19,7	0,78	L	19,3	0,76	0,16	0,35
3/8"	F A9 5/8 JIC	Female 801306000*	10	7/8 - 14UNF	G	F	75,9	2,99	C	30,0	1,18	I	32,0	1,26	E	32,0	1,26	L	19,3	0,76	0,28	0,61
	M A9 5/8 JIC	Male 801306001*				D	72,3	2,85	B	27,0	1,06	H	29,0	1,14	J	19,7	0,78	L	19,3	0,76	0,16	0,35
1/2"	F A13 7/8 JIC	Female 801306006	12,5	1-3/16-12UN	G	F	90,7	3,57	C	36,0	1,42	I	40,0	1,57	E	38,0	1,50	L	22,6	0,89	0,42	0,93
	M A13 7/8 JIC	Male 801306007				D	82,6	3,25	B	36,0	1,42	H	40,0	1,57	J	24,5	0,96	L	22,6	0,89	0,28	0,62
1/2"	F A13 1 JIC	Female 801306008*	12,5	1-5/16-12UN	G	F	91,2	3,59	C	36,0	1,42	I	40,0	1,57	E	38,0	1,50	L	23,1	0,91	0,41	0,91
	M A13 1 JIC	Male 801306009*				D	83,1	3,27	B	36,0	1,42	H	40,0	1,57	J	24,5	0,96	L	23,1	0,91	0,33	0,72
1/2"	F A13 3/4 JIC	Female 801306012	12,5	1-1/16-12UN	G	F	90,0	3,54	C	36,0	1,42	I	40,0	1,57	E	38,0	1,50	L	21,9	0,86	0,41	0,90
	M A13 3/4 JIC	Male 801306013				D	81,9	3,22	B	36,0	1,42	H	40,0	1,57	J	24,5	0,96	L	21,9	0,86	0,28	0,61
1/2"	F A13 5/8 JIC	Female 801306018*	12,5	7/8 - 14UNF	G	F	-	-	C	-	-	I	-	-	E	-	-	L	19,3	0,76	-	-
	M A13 5/8 JIC	Male 801306019*				D	79,3	3,12	B	36,0	1,42	H	35,0	1,38	J	24,5	0,96	L	19,3	0,76	0,26	0,57
5/8"	F A15 1 JIC	Female 801306020*	16	1 - 5/16 - 12UN	G	F	84,5	3,33	C	41,0	1,61	I	44,8	1,76	E	42,0	1,65	L	23,1	0,91	0,54	1,18
	M A15 1 JIC	Male 801306021*				D	83,1	3,27	B	36,0	1,42	H	38,5	1,52	J	27,0	1,06	L	23,1	0,91	0,32	0,69

* Available upon request.

Zinc Nickel version

A Series is available upon request also in Zinc Nickel version.

The Zinc Nickel plating ensures high resistance to corrosion and it is ideal for hydraulic equipment applications where an improved corrosion resistance is necessary.

For specific codes, configuration or any other information, please contact Stucchi Technical Support.

While maintaining the same interchangeability, the shape differs from the A series in Cr3 due to the addition of the groove for the cap lanyard and in some cases the dimensions may also be different. Request the drawing with overall dimensions.

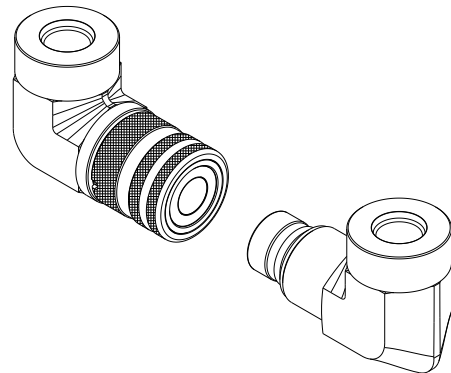


90° version

A Series is available upon request also in special configuration with 90° fitting.

This version is ideal for applications with less space that requires a compact design and it guarantees the correct bending of the hose.

For specific codes, configuration or any other information, please contact Stucchi Technical Support.



Panel mounting

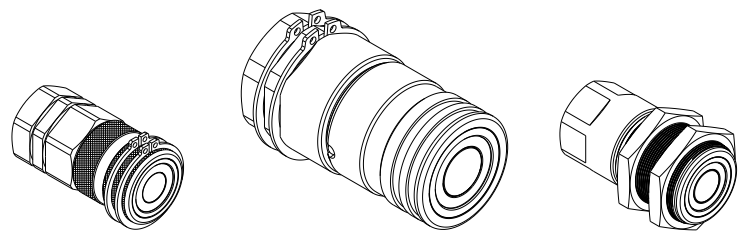
A Series is available upon request also as panel mounting version.

BC: Snap Ring Solution
Grooves on the male body and on the female sleeve.

BR: Snap Ring Solution
Grooves on the male adaptor and on the female adaptor.

BT: Lock Ring Solution
Thread on the male body and female body.

For specific codes, dimensions or any other information, please contact Stucchi Technical Support.



BC

BR

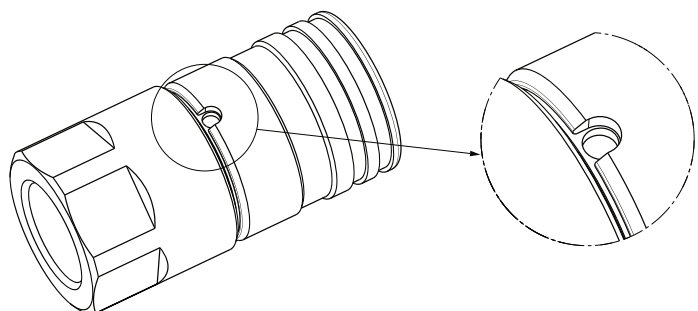
BT

Using the BC and BT versions mounted on the panel, you obtain the breakaway function, avoiding damages of the hydraulic connections in case of strong axial force during unintended disconnection.

SS version

For specific cases, A Series is available upon request without the safety lock ball.

For additional information, please contact Stucchi Technical Support.

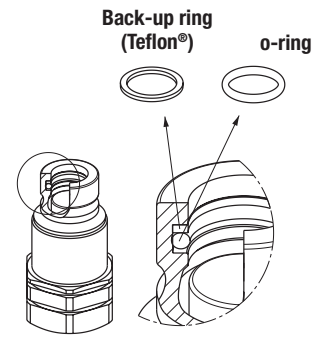




SPARE KIT SEAL FOR MALE

Repair kit / OR+BK		
Body Size	Description	Part Number
1/4"	MA7	815700519
3/8"	MA9	815700337
1/2"	MA13	815700339
5/8"	MA15	815700341
3/4"	MA17	815700343
1"	MA21	815700345
1 1/4"	MA25	815700693
1 1/2"	MA30	815700521

O-Ring in Nitrile
BackUp in Teflon®

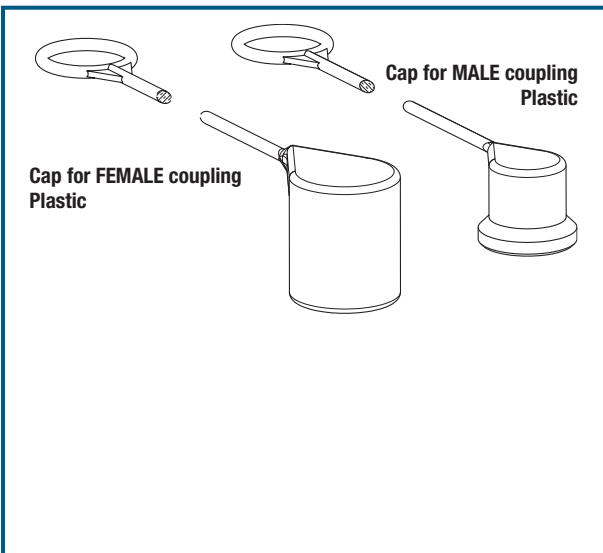


PROTECTIVE CAPS FOR A SERIES

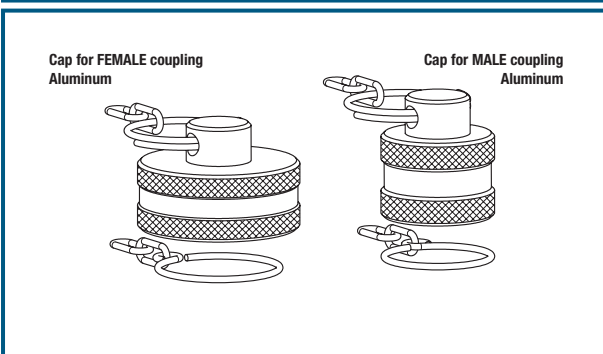
Protective caps are always recommended to protect the couplings from damage, dirt inclusion, and will increase the product life. This is particularly important in mobile applications where exposure to weather and aggregate materials are common.

For the A series are available three kind of materials:

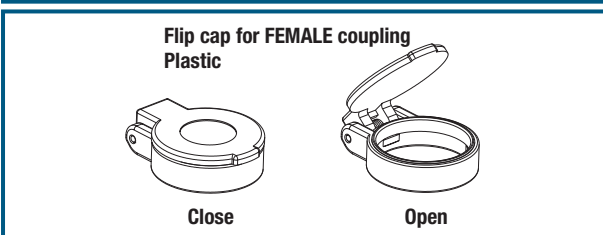
- plastic caps complete with lanyard (standard color: red, other colors available upon request)
- aluminum caps complete with lanyard (standard colors: natural aluminum, other colors available upon request)
- plastic caps, clip system (standard color: red, other colors available upon request)



Body Size	Port size	Description	Protective Cap		Material/Color
			Part number		
			Cap for Female	Cap for Male	
1/8"	1/8"	A4	-	815100021	Plastic/Red
1/4"	1/4"	A7	815100000	815100023	Plastic/Red
3/8"	3/8"	A9	815100002	815100025	Plastic/Red
3/8"	1/2"	A9	815100002	815100027	Plastic/Red
1/2"	1/2"	A13	815100004	815100029	Plastic/Red
1/2"	3/4"	A13	815100006	815100031	Plastic/Red
5/8"	3/4"	A15	815100008	815100011	Plastic/Red
5/8"	1"	A15	815100008	815100011	Plastic/Red
3/4"	3/4"	A17	815100010	815100013	Plastic/Red
3/4"	1"	A17	815100010	815100013	Plastic/Red
1"	3/4"	A21	815100012	815100015	Plastic/Red
1"	1"	A21	815100012	815100015	Plastic/Red
1"	1-1/4"	A21	815100012	815100015	Plastic/Red



Body Size/Description	Protective Cap		Material/Color
	Part Number		
	Cap for Female	Cap for Male	
1/4" A7	816005002	816005003	Aluminum/Natural
3/8" A9	816005004	816005005	Aluminum/Natural
1/2" A13	816005006	816005007	Aluminum/Natural
5/8" A15	816005008	816005009	Aluminum/Natural
3/4" A17	816005010	816005011	Aluminum/Natural
1" A21	816005012	816005013	Aluminum/Natural
1 1/4" A25	815205020	815205021	Aluminum/Natural
1 1/2" A30	815105014	815105017	Aluminum/Natural



Body Size/Description	Protective Cap		Material/Color
	Part Number		
	Cap for Female		
3/8" F A9	815200002		Plastic/Red
1/2" F A13	815200004		Plastic/Red
5/8" F A15	815200006		Plastic/Red
3/4" F A17	815200008		Plastic/Red